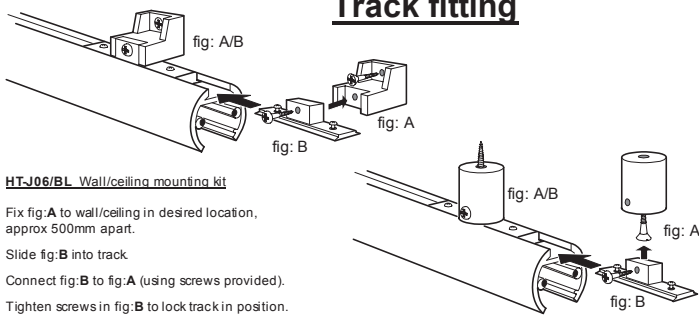


HighTrack Lighting - INSTALLATION GUIDELINES

Track fitting



HT-J06/BL Wall/ceiling mounting kit

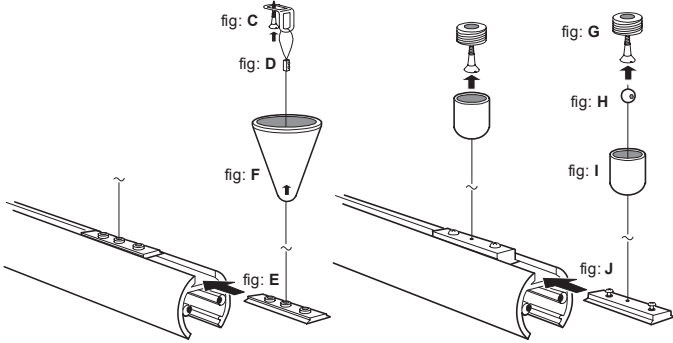
Fix fig: A to wall/ceiling in desired location, approx 500mm apart.
Slide fig: B into track.
Connect fig: B to fig: A (using screws provided).
Tighten screws in fig: B to lock track in position.

HT-J05/BL Track suspension kit

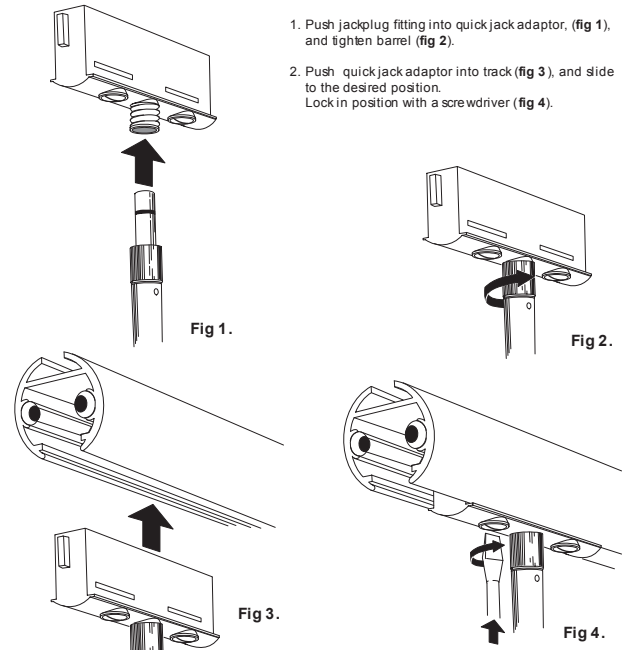
Fix bracket fig: C to ceiling in desired location.
Cut cables to the desired length (allowing for the top loop) and feed through bracket Fig: C and fix into joiner Fig: D.
Hang track by sliding on to lower fitting fig: E.
Slide plastic cover up the cable and fix to ceiling.

HT-J09/SI 3m suspension kit

Fix brass boss fig: G to ceiling.
Slide brass ferrul fig: H along the cable to the desired length and tighten with the allen key provided. Cut off excess cable.
Screw fig: I to boss fig: G.
Hang track by sliding on to lower fitting fig: J and tighten screws to lock in position.



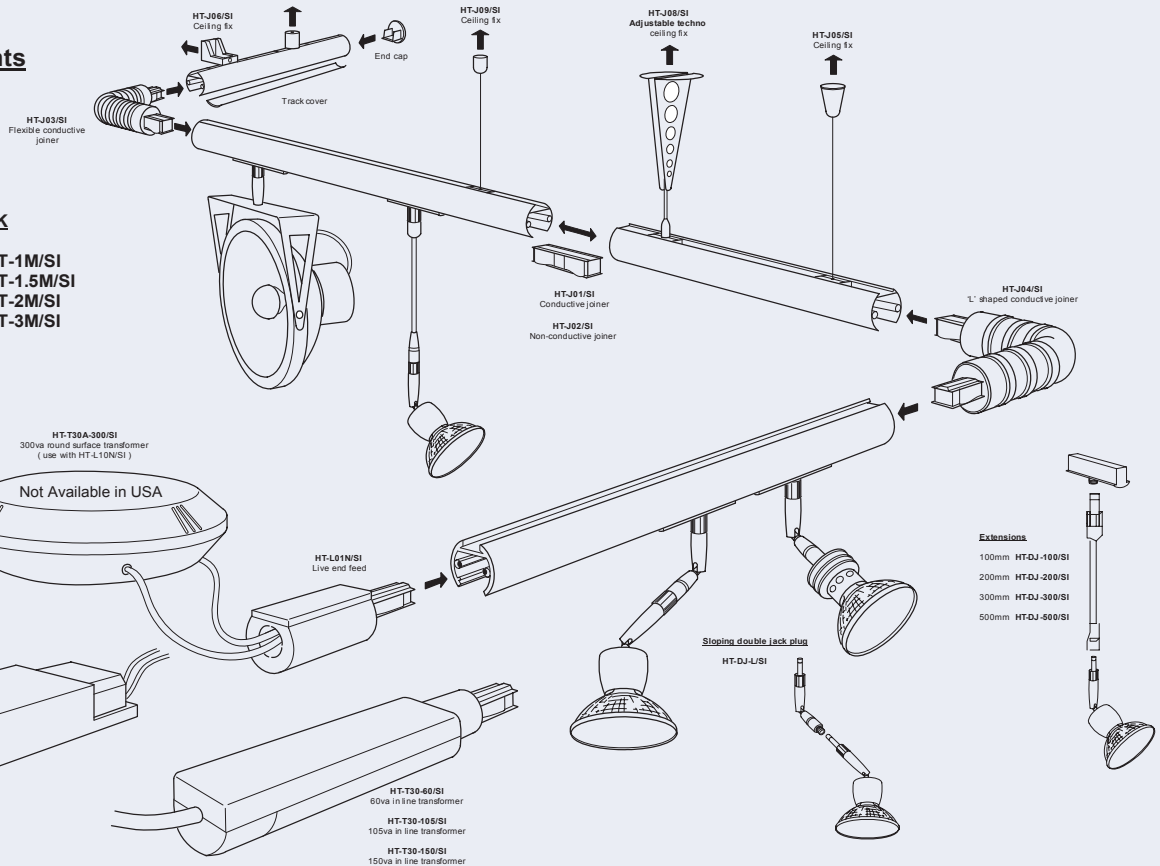
Quick jack adaptors Lights & extensions



1. Push jackplug fitting into quick jack adaptor, (fig 1), and tighten barrel (fig 2).
2. Push quick jack adaptor into track (fig 3), and slide to the desired position. Lock in position with a screwdriver (fig 4).

N.B. Turn off the power to the track whilst fitting and removing light fittings.

Track components



TRACK

- 1 metre HT-1M/SI
- 1.5 metre HT-1.5M/SI
- 2 metre HT-2M/SI
- 3 metre HT-3M/SI

- Extensions
- 100mm HT-DJ-100/SI
 - 200mm HT-DJ-200/SI
 - 300mm HT-DJ-300/SI
 - 500mm HT-DJ-500/SI