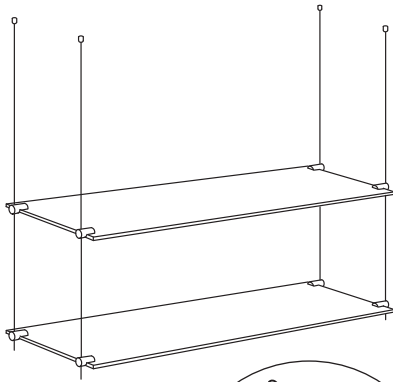


1.5mm Cable Display Systems - INSTALLATION GUIDELINES

INSTALLATION TIPS



Glass Shelving Fixing - CG06 Support Installation

1) Attach a clamp support to each corner of the glass shelf at 3/4"-1" distance from edge (fig 1).

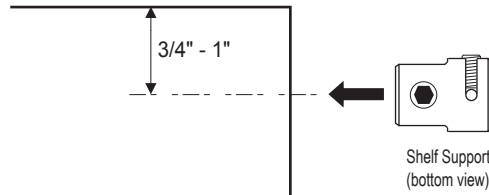


fig 1

2) **Mark cable positions on floor area** - lay shelves on floor and mark cable positions or use measurements. With the use of a plumb line mark and fix cables to ceiling (ensuring that fixings are secure).

3) Install cables as per "**Cable Fixing Instructions**" for CA4 supplied.

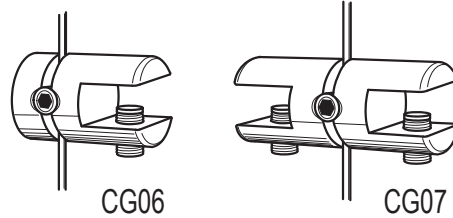
4) **Shelf Fitting** - as a guideline the lowest shelf should be fixed approx. 24" from the floor and subsequent shelves approx 12" apart.

5) **Fix shelf to cables** - adjust shelf to horizontal, preferably with a spirit level. Repeat procedure for other shelves.

Options - Double sided Clamp Supports

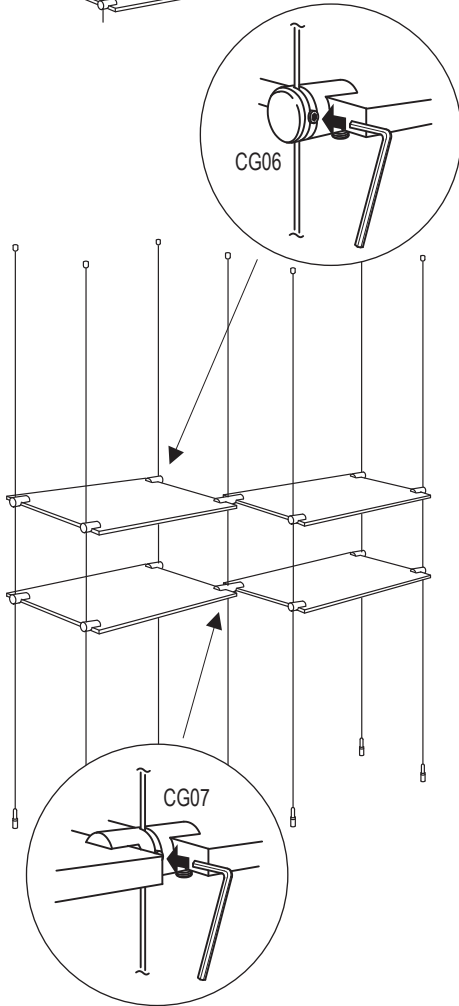
1) The double sided clamp support **CG07** will need to be fitted to the cable before the second glass shelf is attached.

2) For proper and easier installation it will require two man assistance.

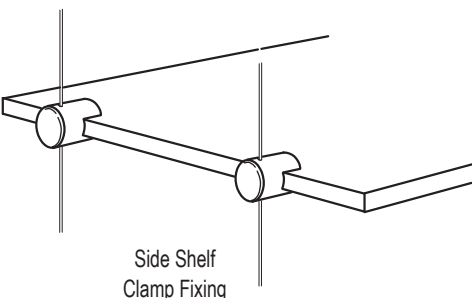


CG06

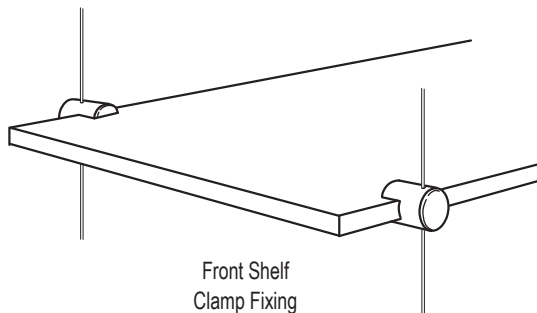
CG07



Options - Side & Front Shelf Clamp Fixing



Side Shelf
Clamp Fixing



Front Shelf
Clamp Fixing

