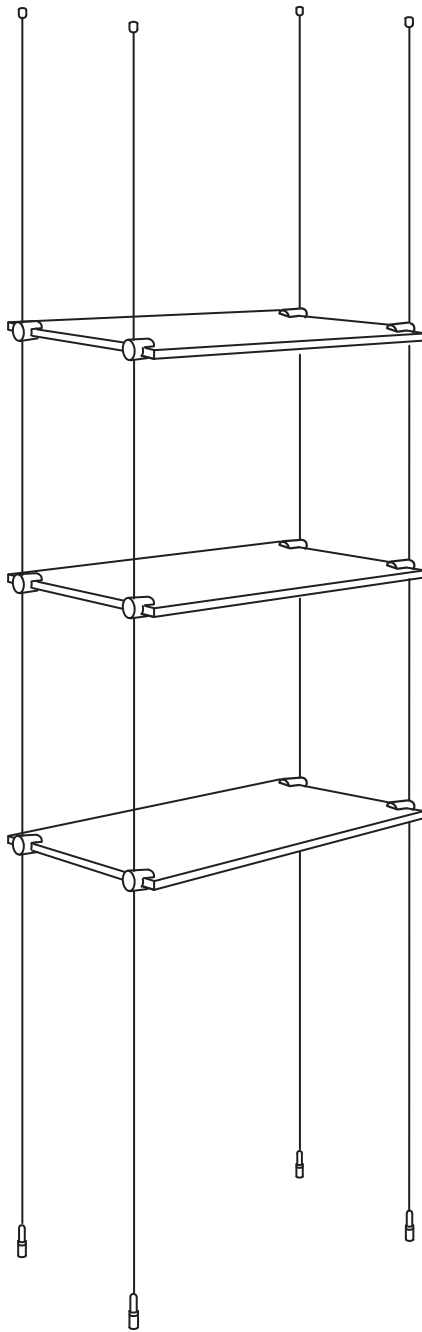


# 1.5mm Cable Display Systems - INSTALLATION GUIDELINES



## Glass Shelving Fixing - CG15 Support Installation

1) Attach a clamp support to each corner of the glass shelves at 3/4"-1" distance from edge (fig 1).

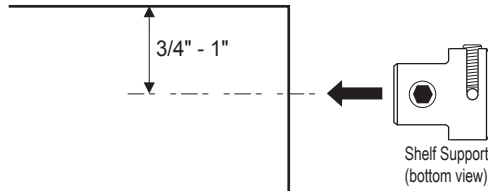


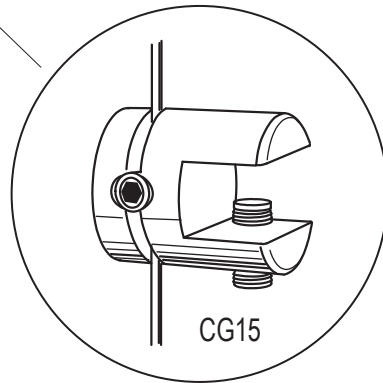
fig 1

2) **Mark cable positions on floor area** - lay shelves on floor and mark cable positions or use measurements. With the use of a plumb line mark and fix cables to ceiling (ensuring that fixings are secure).

3) Install cables as per "**Cable Fixing Instructions**" for CA4 supplied.

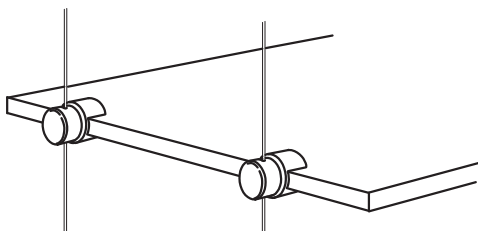
4) Shelf fitting - As a guideline the lowest shelf should be fixed approx. 24" from the floor and subsequent shelves approx 12" apart.

5) Fix shelf to cables. Adjust shelf to horizontal, preferably with a spirit level. Repeat procedure for other shelves.

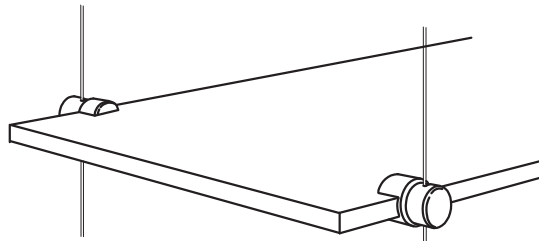


CG15

## Options - Side & Front Shelf Clamp Fixing



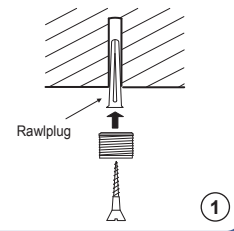
Side Shelf  
Clamp Fixing



Front Shelf  
Clamp Fixing

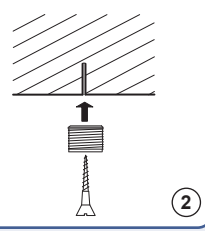
## INSTALLATION TIPS

### Concrete



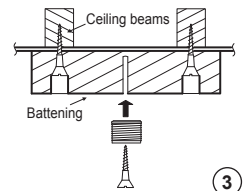
1

### Wood



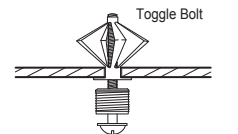
2

### Lathe & Plaster



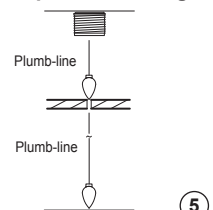
3

### Plasterboard



4

### Suspended Ceiling



5