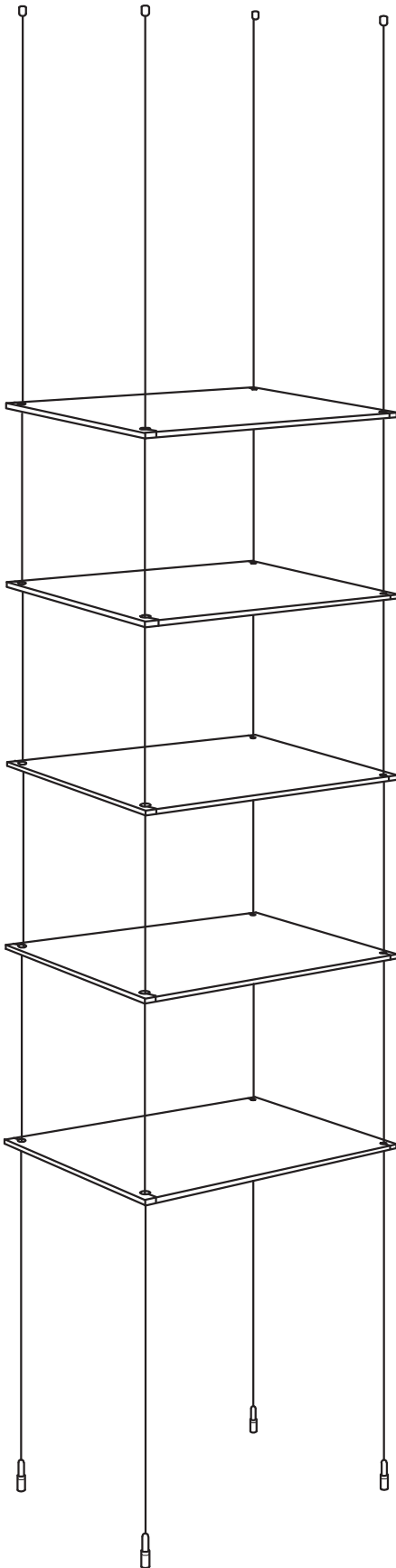
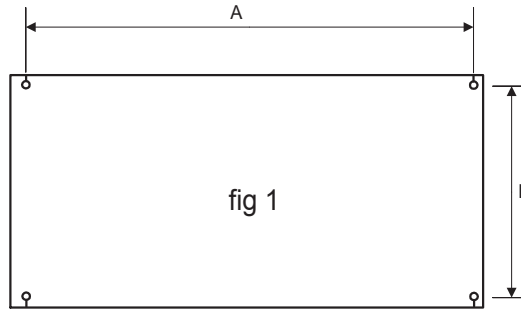


1.5mm Cable Display Systems - INSTALLATION GUIDELINES



Glass Shelving Fixing - CS01 Support Installation

1) Mark cable positions on floor area. Lay shelves on floor and mark cable positions or use measurements below, (fig 1).

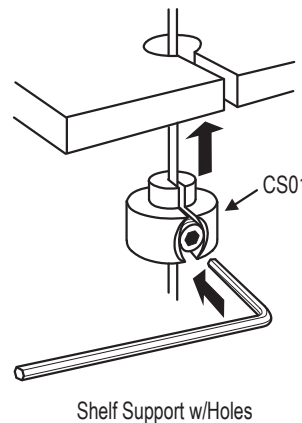
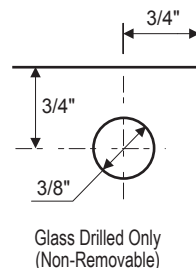
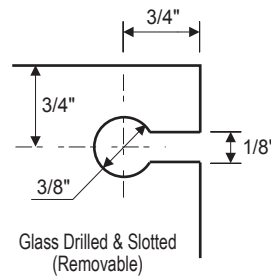
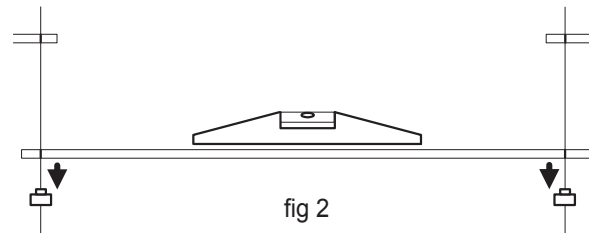


2) With the use of a plumb line mark and fix cables to ceiling (ensuring that fixings are secure).

3) Install cables as per "Cable Fitting Instructions" for CA4 supplied.

4) Shelf fitting - As a guideline the lowest shelf should be fixed approx. 24" from the floor and subsequent shelves approx 12" apart.

5) Fix four shelf supports (CS01) on center of four cables (see fig 2) and then attach shelf. Adjust shelf to horizontal, preferably with a spirit level. Repeat procedure for other shelves.



INSTALLATION TIPS

