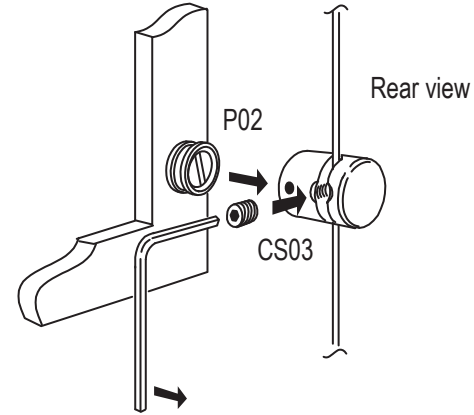
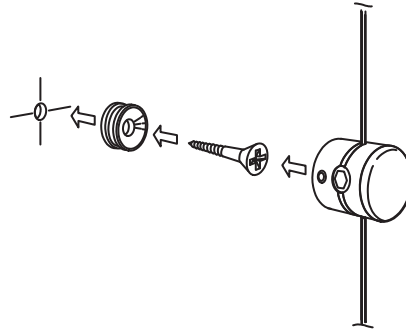
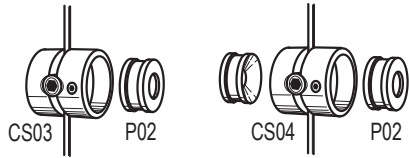
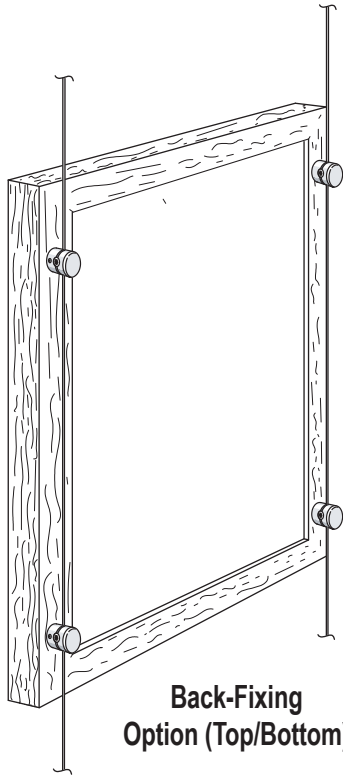


# 1.5mm Cable Display Systems - INSTALLATION GUIDELINES

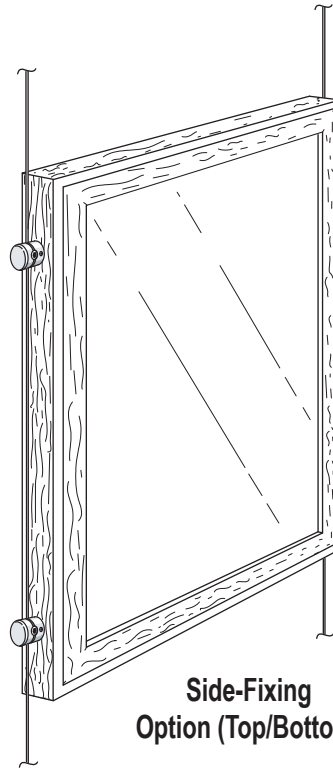
## CS03 & CS04 Supports Installation



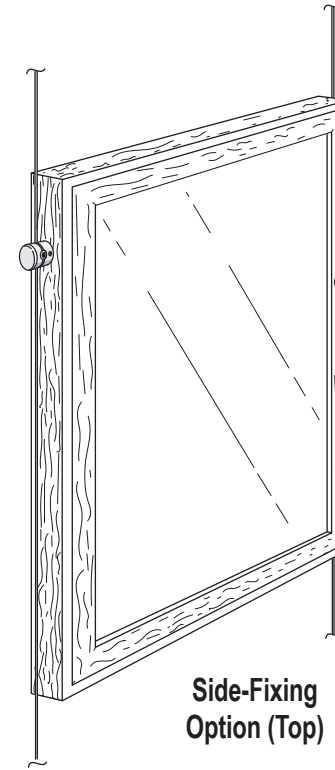
## Wooden Frame Mounting Options



**Back-Fixing  
Option (Top/Bottom)**



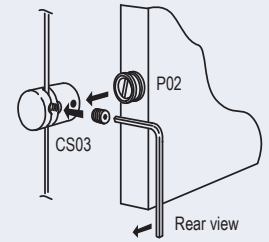
**Side-Fixing  
Option (Top/Bottom)**



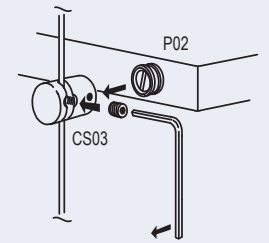
**Side-Fixing  
Option (Top)**

## INSTALLATION TIPS

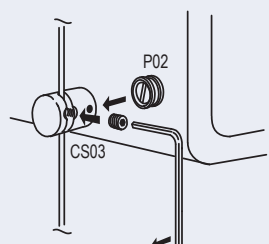
### Vertical Panel Fixing



### Wooden Shelf Fixing



### Showcase Fixing



### Banner / Hanging Rail Fixing

