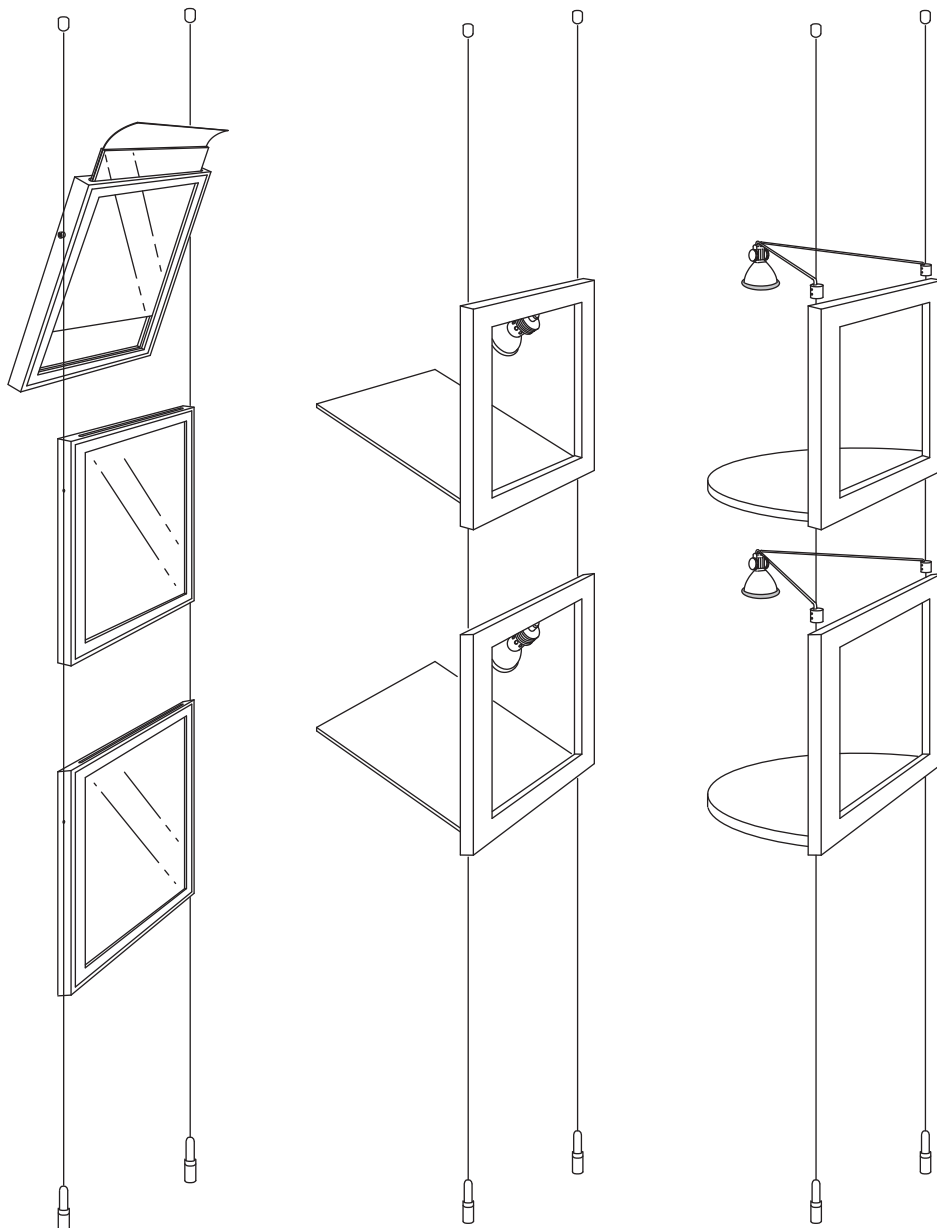
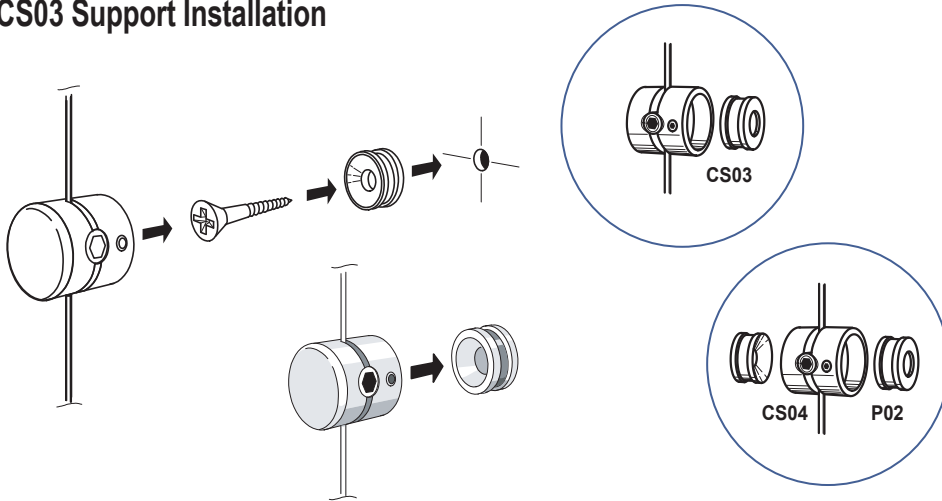
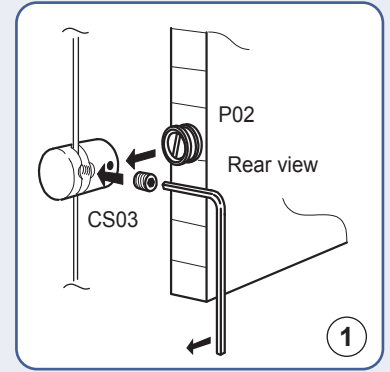


1.5mm Cable Display Systems – INSTALLATION GUIDELINES

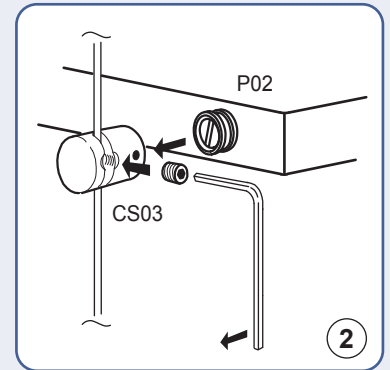
CS03 Support Installation



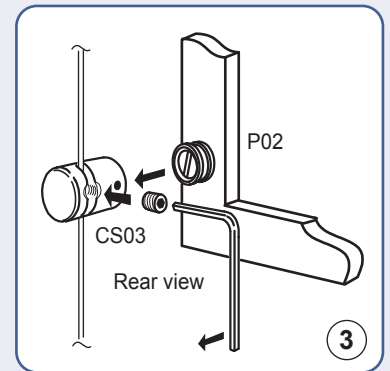
Panel Fixings



Shelf Fixings



Framed Art Fixings



Showcase Fixings

