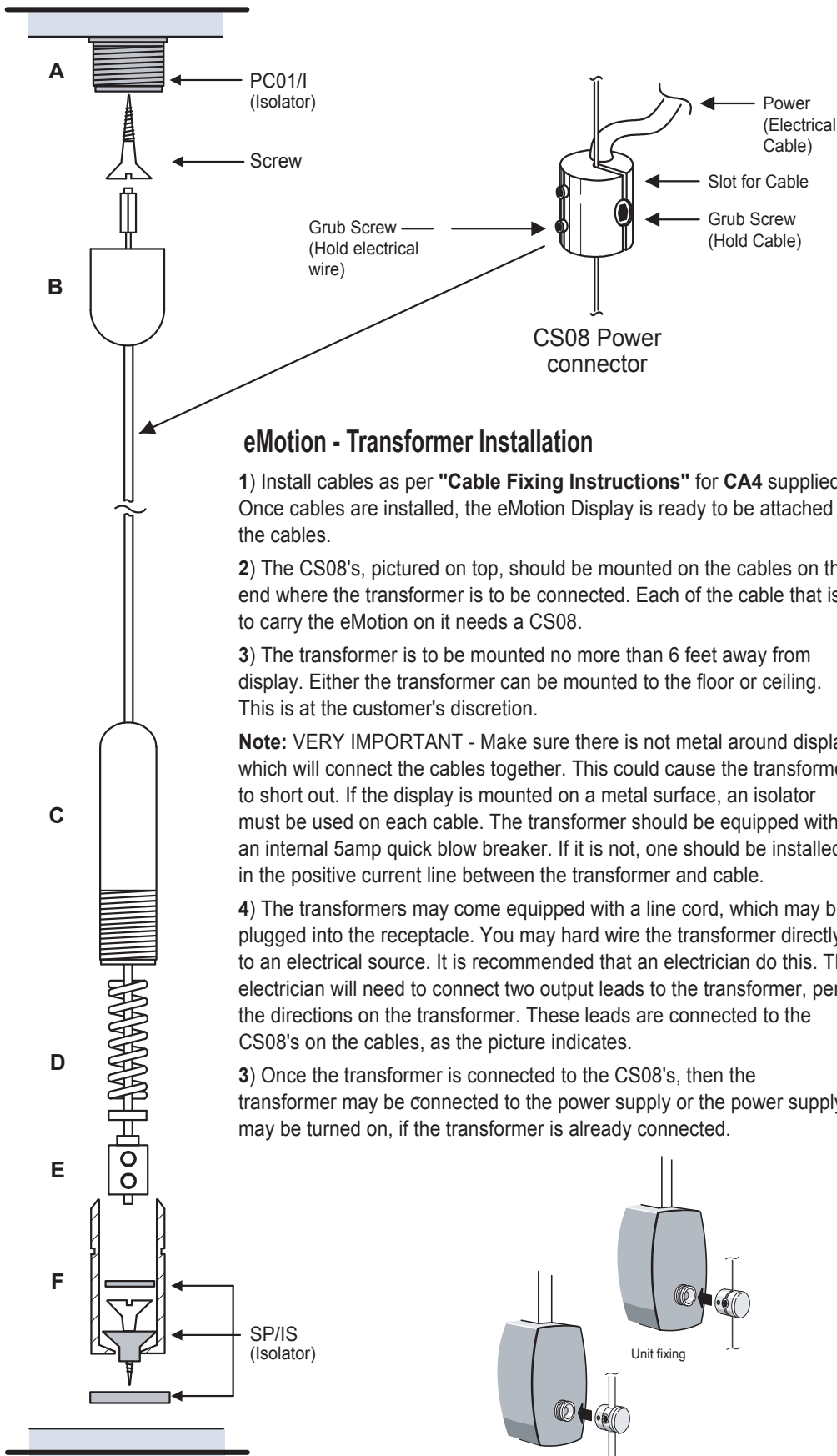


eMotion - INSTALLATION GUIDELINES



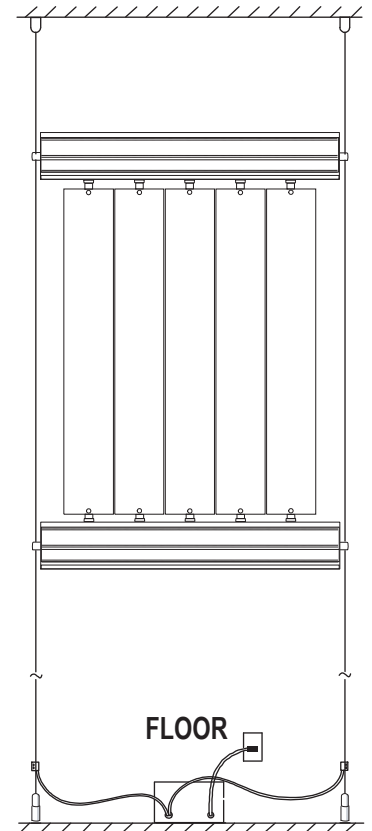
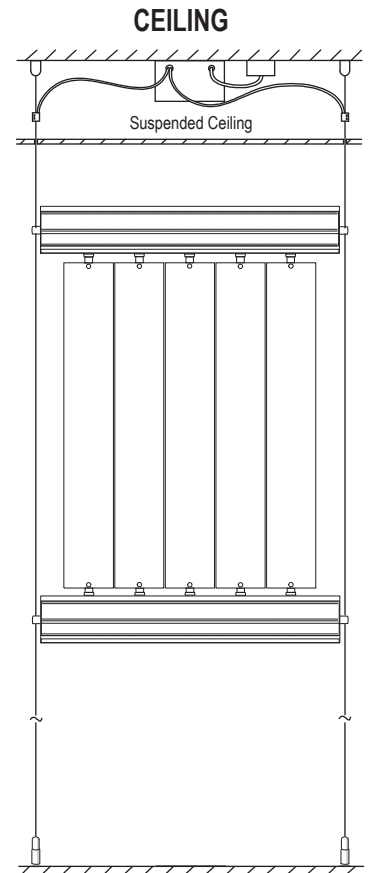
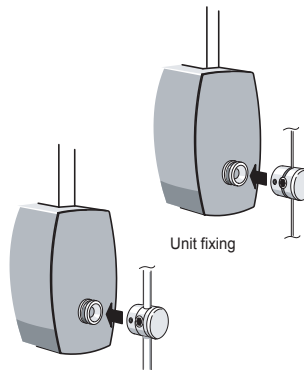
eMotion - Transformer Installation

- 1) Install cables as per "Cable Fixing Instructions" for CA4 supplied. Once cables are installed, the eMotion Display is ready to be attached to the cables.
- 2) The CS08's, pictured on top, should be mounted on the cables on the end where the transformer is to be connected. Each of the cable that is to carry the eMotion on it needs a CS08.
- 3) The transformer is to be mounted no more than 6 feet away from display. Either the transformer can be mounted to the floor or ceiling. This is at the customer's discretion.

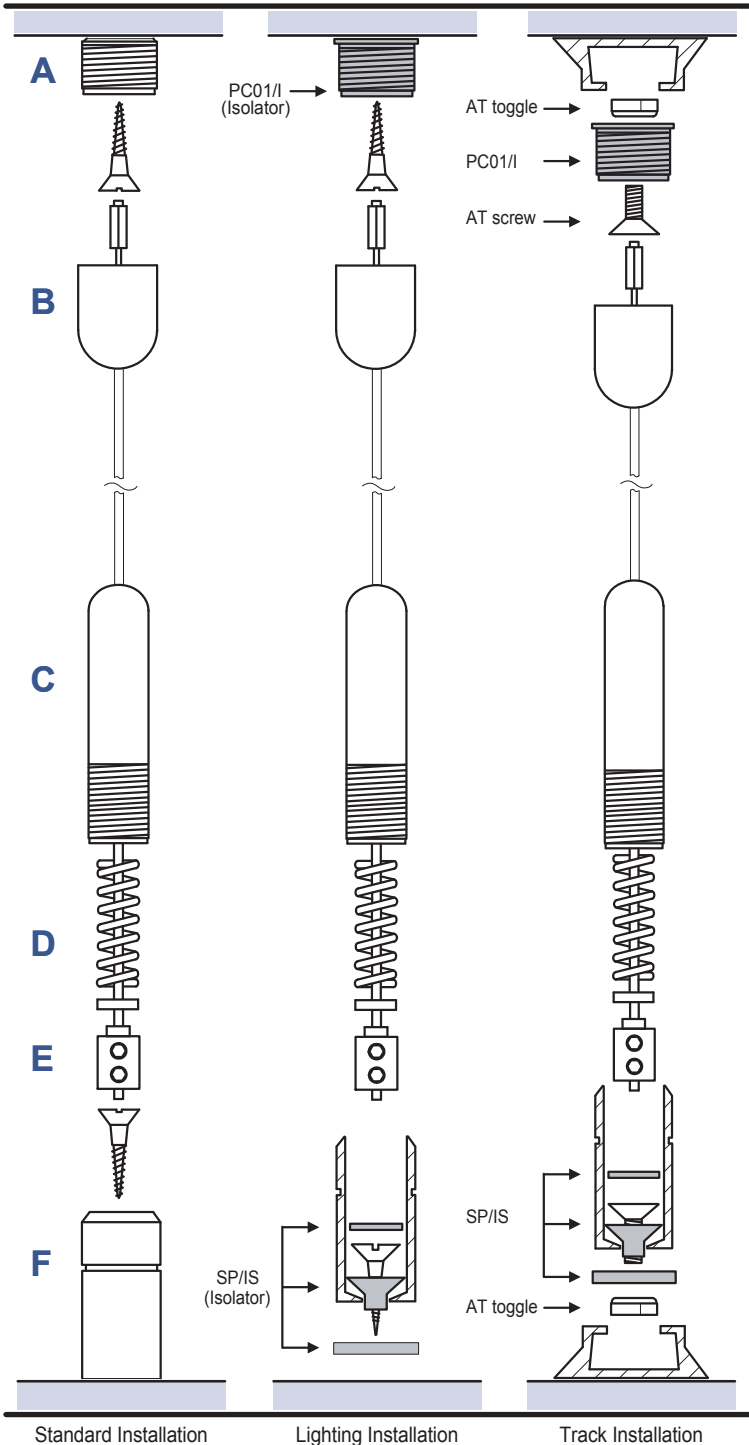
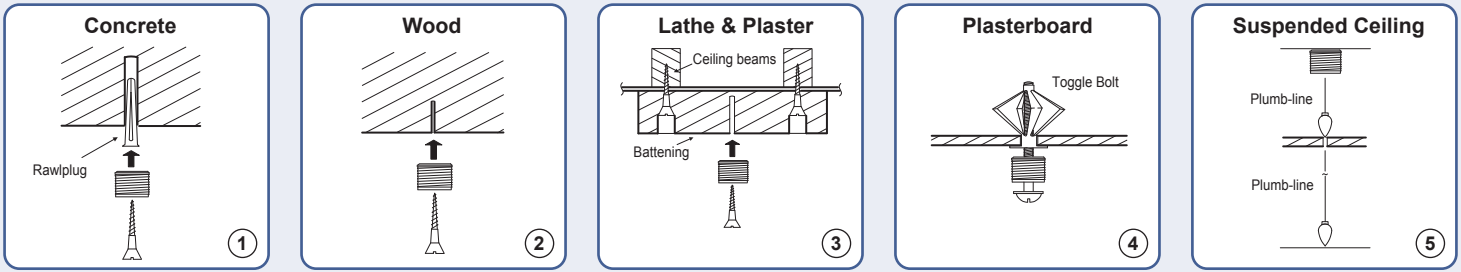
Note: VERY IMPORTANT - Make sure there is not metal around display which will connect the cables together. This could cause the transformer to short out. If the display is mounted on a metal surface, an isolator must be used on each cable. The transformer should be equipped with an internal 5amp quick blow breaker. If it is not, one should be installed in the positive current line between the transformer and cable.

4) The transformers may come equipped with a line cord, which may be plugged into the receptacle. You may hard wire the transformer directly to an electrical source. It is recommended that an electrician do this. The electrician will need to connect two output leads to the transformer, per the directions on the transformer. These leads are connected to the CS08's on the cables, as the picture indicates.

3) Once the transformer is connected to the CS08's, then the transformer may be connected to the power supply or the power supply may be turned on, if the transformer is already connected.



1.5mm Cable Display Systems - INSTALLATION GUIDELINES



Top to Bottom (CA4) - Cable Installation

IMPORTANT: It is essential to check that the top ceiling fixings are strong enough to take the weight of the items being displayed, whilst allowing for the tension in the cables.

Isolators must be used where power is required through the cables (lighting etc) and fixings are into metal or conductive materials.

When fitting isolated cables remember to replace the top brass fitting with the plastic **PC01/I** isolator and add bottom isolator **SP/IS** to bottom fitting.

- 1) Fix fitting (A) to ceiling:
 - for wooden ceilings use a wood screw.
 - for cavity ceilings use a spring toggle bolt.
 - for solid ceilings use a rawlplug and screw.
- 2) Screw fitting (B) to fitting (A).
- 3) Using a plumb-line, plumb down from (A) and fix (F) to floor using appropriate type of fixing. For isolated cable remember to include the **SP/IS**.
- 4) Loosen the grub screws in fitting (E), using the allen key provided and slide fittings (C), (D) and (E) up the cable.
- 5) Pull down the cable and cut off in line with the decorative line around fitting (F) (see below).
- 6) Re-tighten (E) on the end of the cable.
- 7) Adjust the tension of the cable by screwing (C) into (F).

N.B. It is important to check the strength of the top fixing. No responsibility will be taken for incorrect fixing. This responsibility rests with the installer.

Cables are not supplied with fixing screws.

