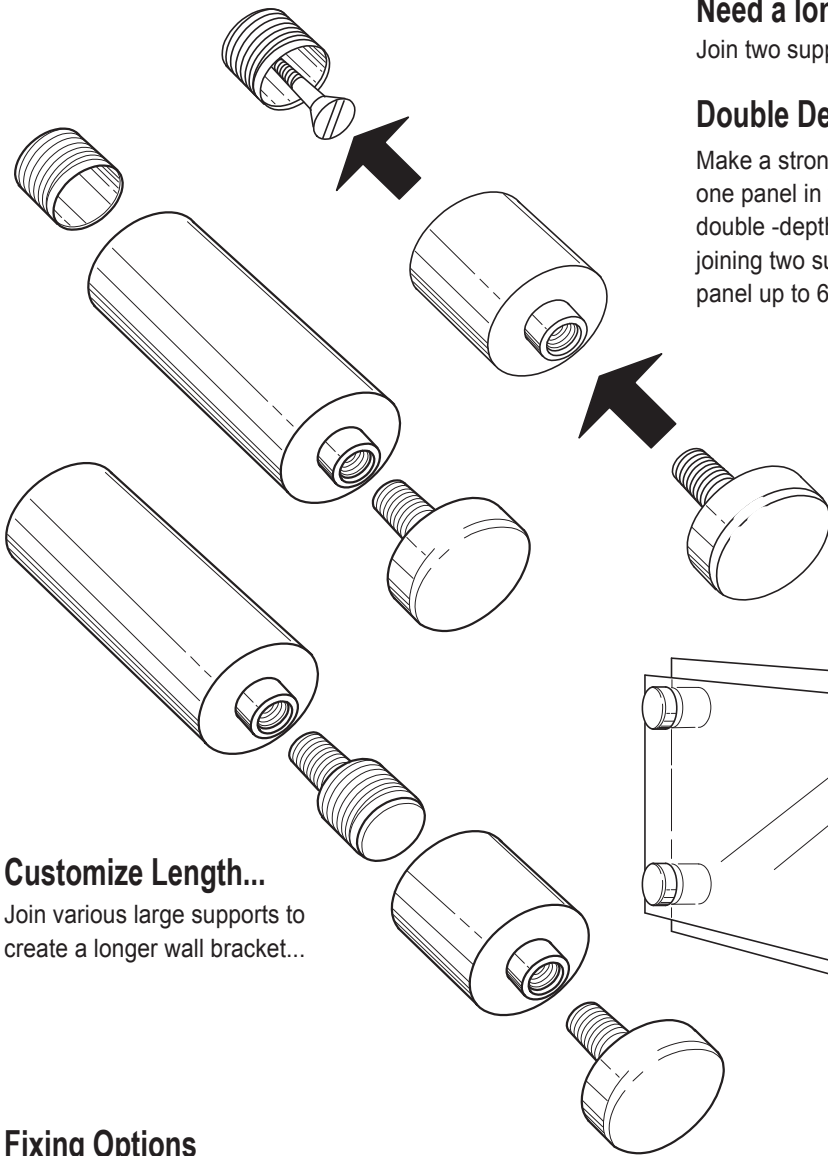


Sign & Panel Supports - Wall Mounts - INSTALLATION GUIDELINES



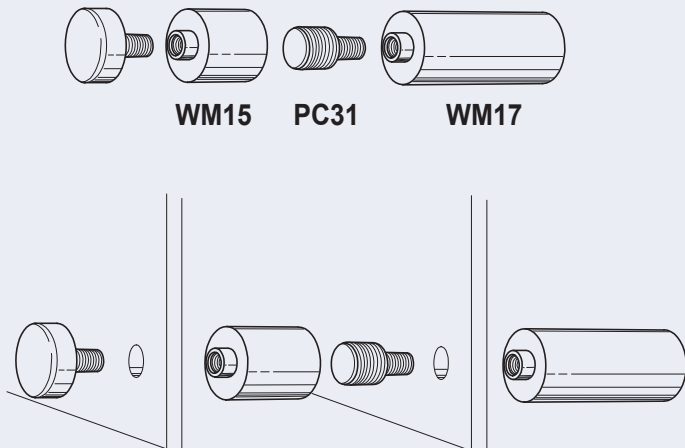
Need a longer support?
Join two supports together using PC31.

Double Depth Panels...
Make a strong design statement by using one panel in front of another to create a double -depth sign. Can be achieved by joining two supports with PC31 to take a panel up to 6mm thick.

Customize Length...
Join various large supports to create a longer wall bracket...

Fixing Options

Wall Mounting



Countertop Mounting

