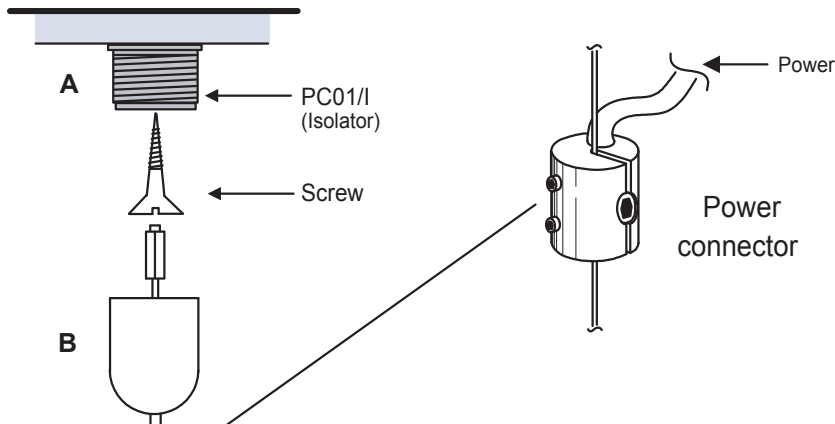


XtraLite - INSTALLATION GUIDELINES



XtraLite - Cable Installation

IMPORTANT: It is essential to check that the top ceiling fixings are strong enough to take the weight of the items being displayed, whilst allowing for the tension in the cables.

When fitting isolated cables remember to replace the top brass fitting with the plastic **PC01/I** isolator.

1) Fix plastic fitting (A) to ceiling:

- for wooden ceilings use a wood screw.
- for cavity ceilings use a spring toggle bolt.
- for solid ceilings use a rawplug and screw.

2) Screw fitting (B) to fitting (A).

3) Using a plumb-line, plumb down from (A) and fix (F) to floor using appropriate type of fixing. Remember to include the Isolator **SP/IS.**

4) Loosen the grub screws in fitting (E), using the allen key provided and slide fittings (C), (D) & (E) up the cable.

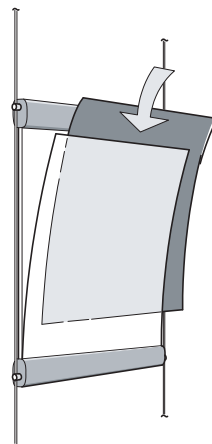
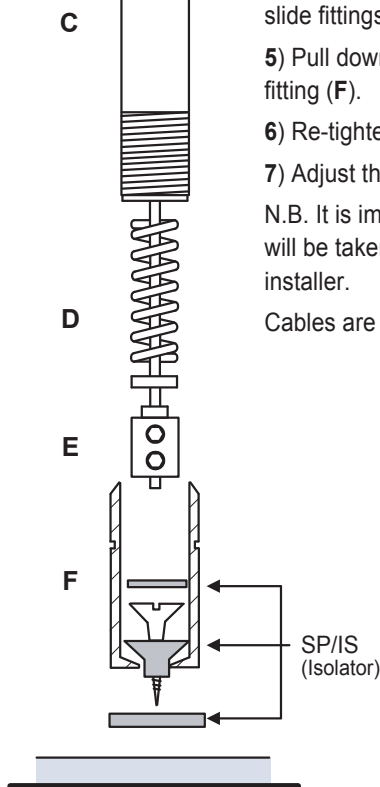
5) Pull down the cable and cut off in line with the decorative line around fitting (F).

6) Re-tighten (E) on the end of the cable.

7) Adjust the tension of the cable by screwing (C) into (F).

N.B. It is important to check the strength of the top fixing. No responsibility will be taken for the incorrect fixing. This responsibility rests with the installer.

Cables are not supplied with fixing screws.



XtraLite - Poster Change

- ① Snap open both side sections
Remove acrylic & old poster
- ② Insert new poster
- ③ Insert acrylic & push flat
- ④ Close side sections
- ⑤ Closed position
- ⑥ Repeat procedure for other side

