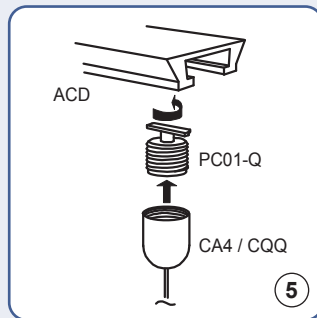
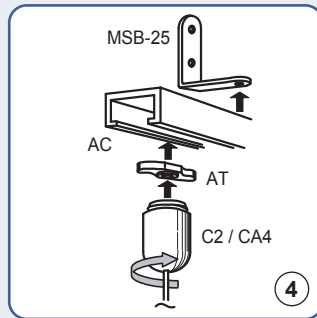
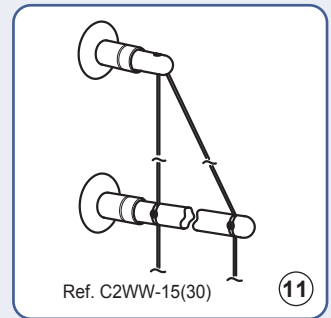
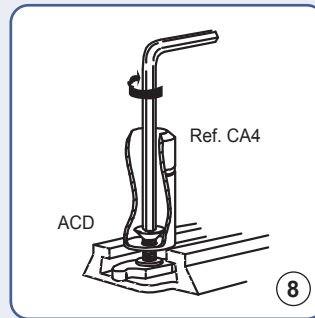
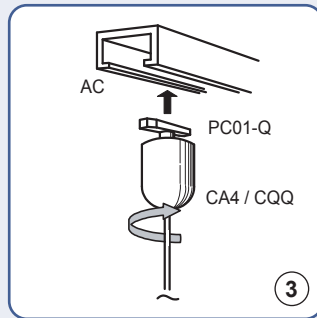
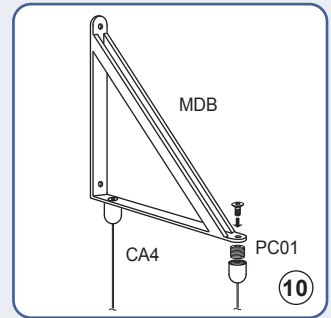
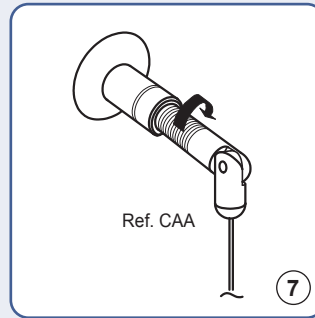
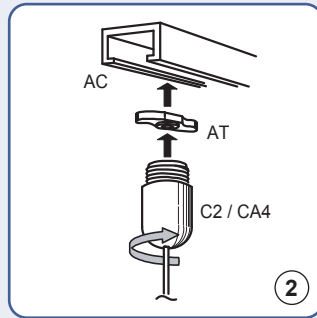
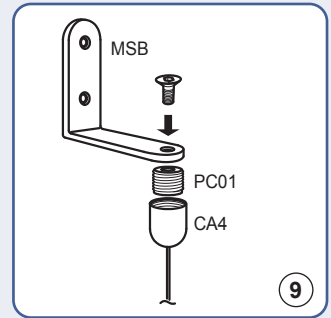
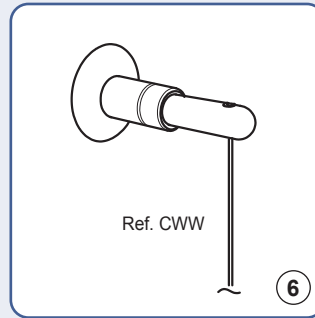
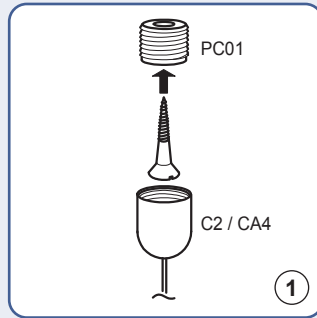
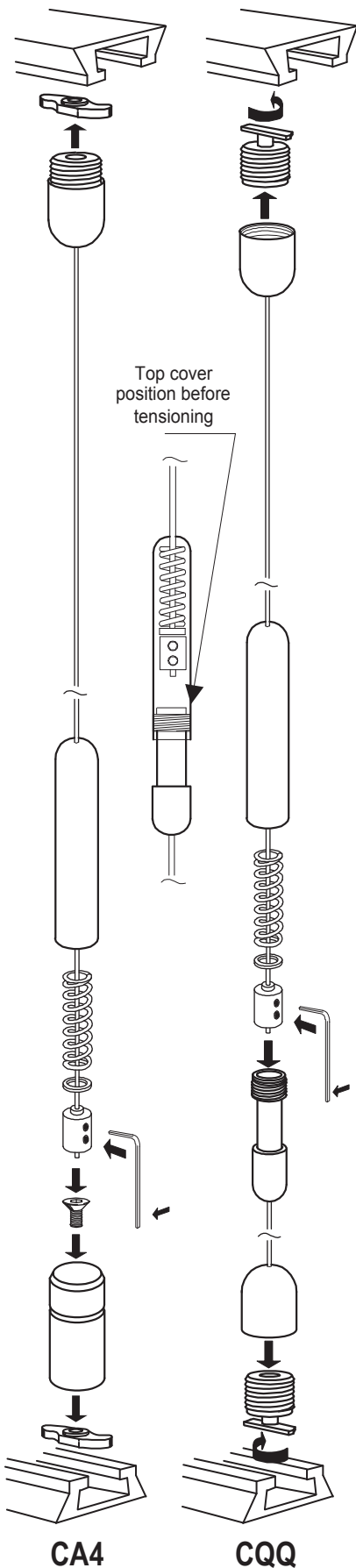


1.5mm Cable Display Systems - CABLE FIXING OPTIONS



- 1 Top Fixing - Single Screw or Bolt
- 2 Channel Top/Bottom Fixing - Toggle Fitting
- 3 Channel Top/Bottom Fixing - Quick Fit Toggle
- 4 Channel Wall Fixing - Toggle Fitting
- 5 Channel Top/Bottom Fixing - Quick Fit Toggle
- 6 Wall Fixing - Single Screw or Bolt
- 7 Angled Top/Bottom Fixing - Single Screw or Bolt
- 8 Channel Bottom Fixing - Toggle Fitting
- 9 Wall Fixing - (MSB) Single Bracket
- 10 Wall Fixing - (MDB) Double Bracket (for shelving)
- 11 Wall Fixing - Double Cable for Shelving