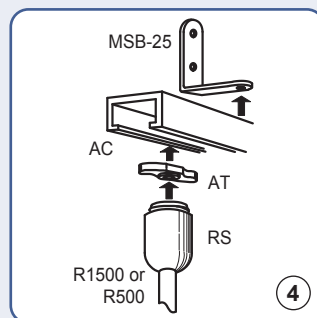
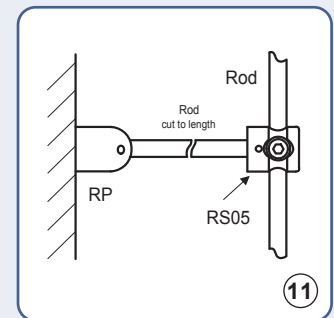
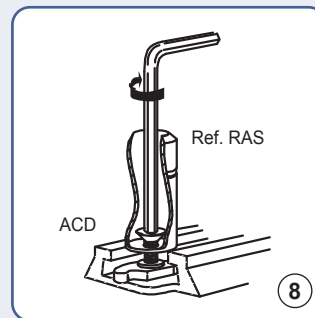
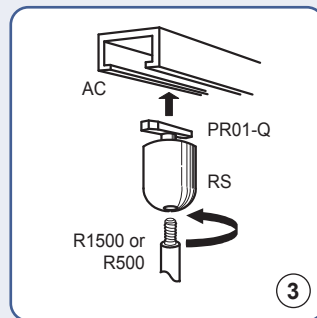
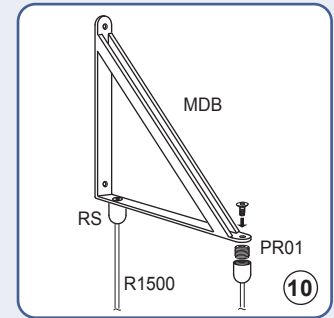
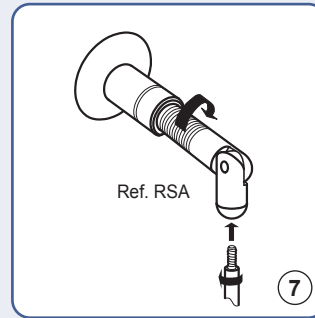
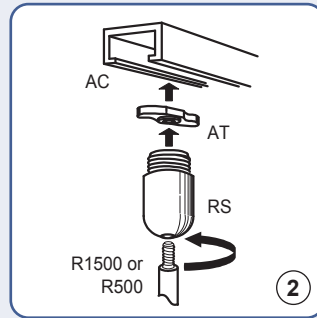
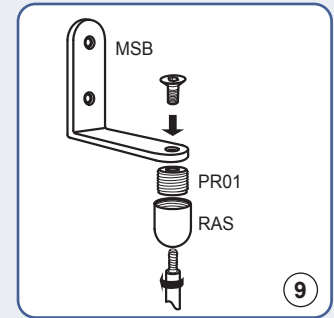
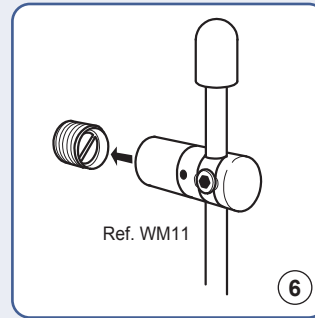
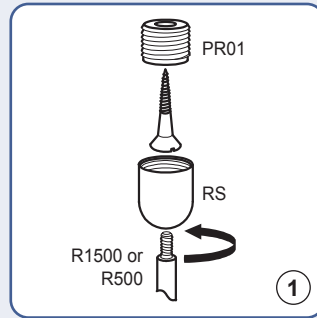
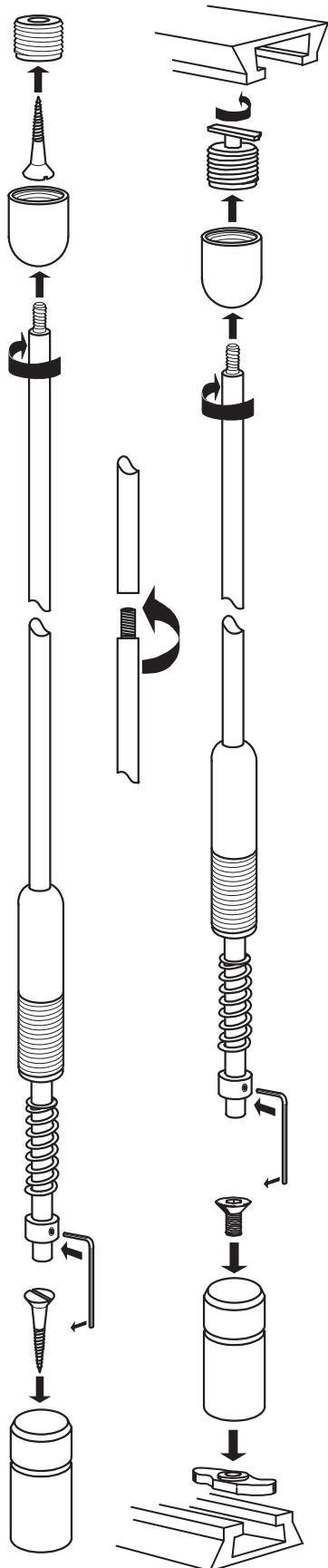


6mm Rod Display Systems – ROD FIXING OPTIONS



- ① Top Fixing - Single Screw or Bolt
- ② Channel Top/Bottom Fixing - Toggle Fitting
- ③ Channel Top/Bottom Fixing - Quick Fit Toggle
- ④ Channel Wall Fixing - Toggle Fitting
- ⑤ Wall Fixing - RS03 & P02
- ⑥ Wall Fixing - WM11
- ⑦ Angled Top/Bottom Fixing - Single Screw or Bolt
- ⑧ Channel Bottom Fixing - Toggle Fitting
- ⑨ Wall Fixing - (MSB) Single Bracket
- ⑩ Wall Fixing - (MDB) Double Bracket (for shelving)
- ⑪ Wall Fixing - Customized Depth

