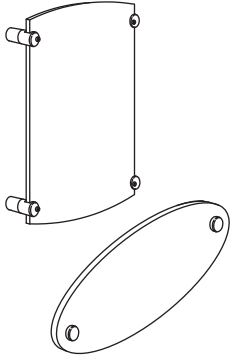
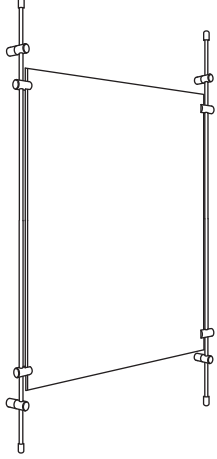
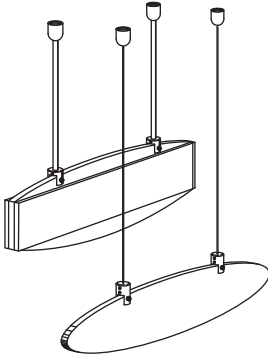
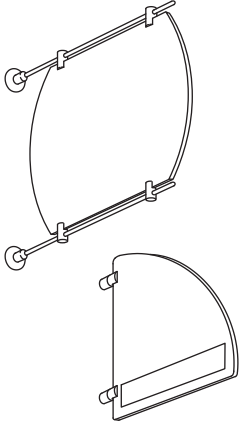
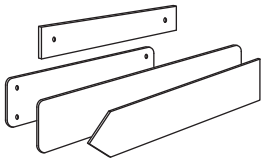
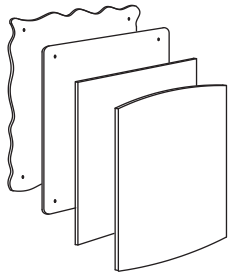
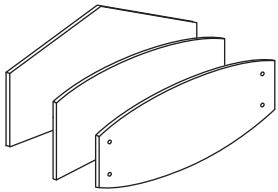
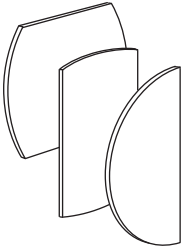


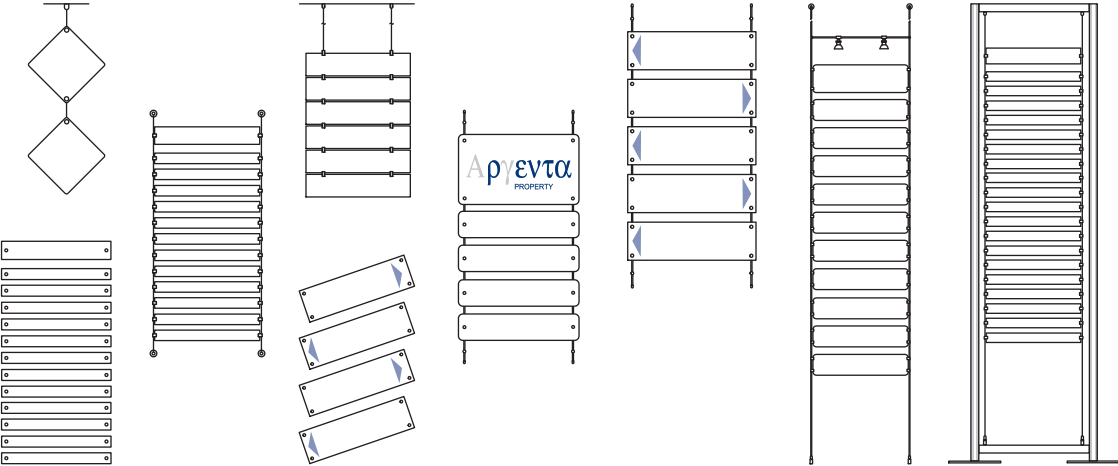
Signage & Graphic Systems - professional, high quality sign, poster and banner support systems that have been created to meet your every design and environmental demand. Any sign will be greatly enhanced in appearance by the use of well design fittings, quality finishes, and many different methods of fixing.

Wall Mounted Signage & Name Plates	Wall Mounted Posters & Directories	Ceiling Suspended Signage & Logo Panels	Wall Projecting Signage & Logo Panels
			

1

Acrylic Plates Identifications	Acrylic Panels Graphic Presentations	Acrylic Panels Logo & Signage	Acrylic Blanks Directional Signage
 <p data-bbox="61 1264 321 1375">Acrylic plates cut in various sizes - plane or with holes for wall mounts. Clear polished, sandblasted, or color. Ideal for room, area or personnel ID, etc.</p>	 <p data-bbox="354 1264 630 1396">Clear polished or sandblasted acrylic panels cut in various rectangle shapes. Create high-quality text and logo images. Ideal for informative panels, plaques, facility map or directories, menu boards, etc.</p>	 <p data-bbox="662 1264 928 1375">Acrylic panels cut in various shapes - plane or with holes for wall mounts. Create high-quality text and logo images. Ideal for decorative, or logo panels.</p>	 <p data-bbox="961 1264 1230 1396">Clear polished acrylic blanks cut in various sizes - plane or with holes for wall mounts. Ideal for informative or directional signage. Can be flat wall mounted or projecting from the wall or ceiling.</p>

2



## CREATE YOUR PERSONALIZED KIT:

Choose from cable/rod or wall support (stand-off) systems...

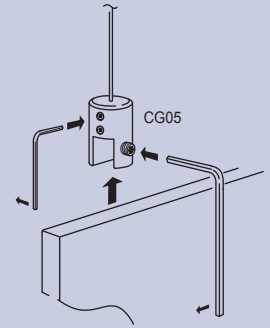
Suspend large format graphics or add logo panels, available in a wide variety of shapes and finishes...

Add vinyl lettering, color inkjet prints, or dimensional letters to create a perfect sign...

Your kit is complete!

## HARDWARE OPTIONS

Suspend single or multiple signs from top using cable or rods...



## DESIGN TIP

Suspend large format graphics between floor and ceiling or at a right angle to the wall...

