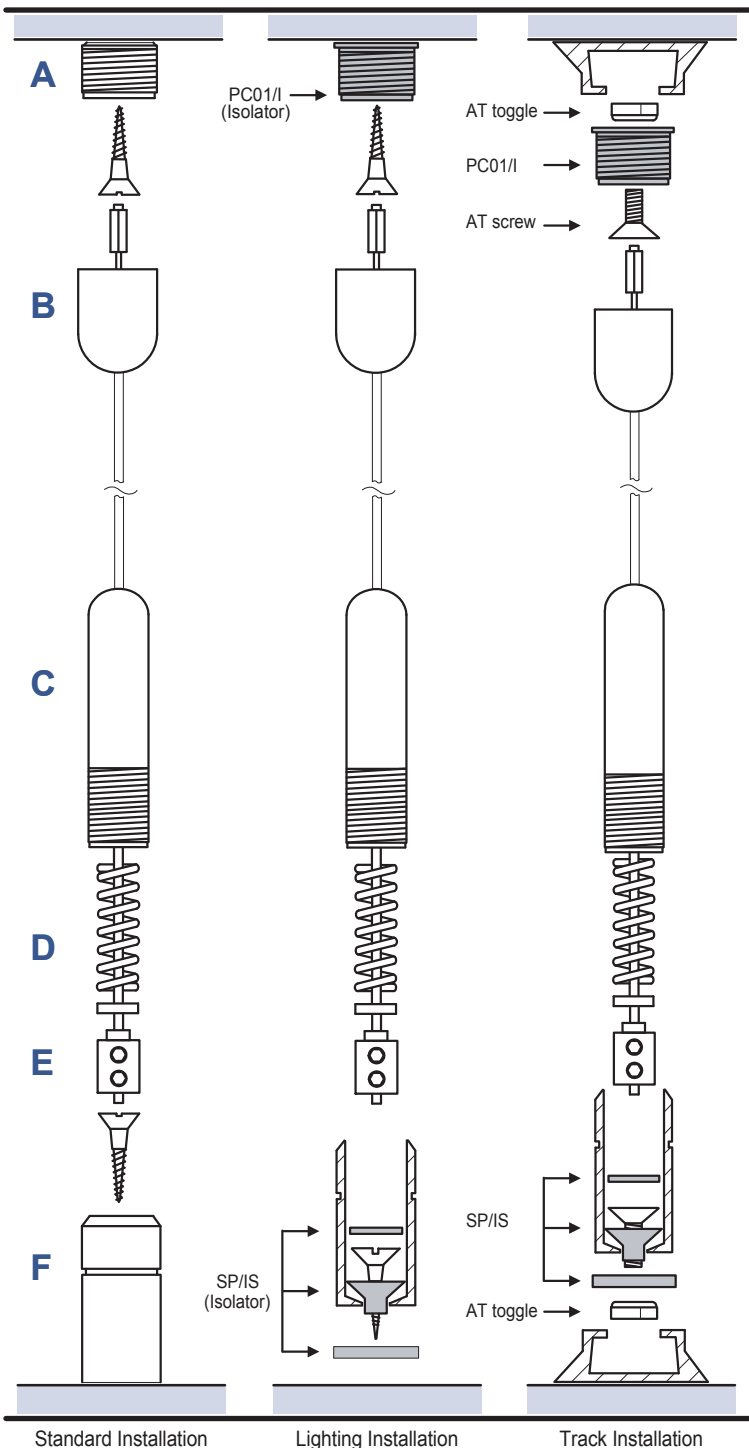
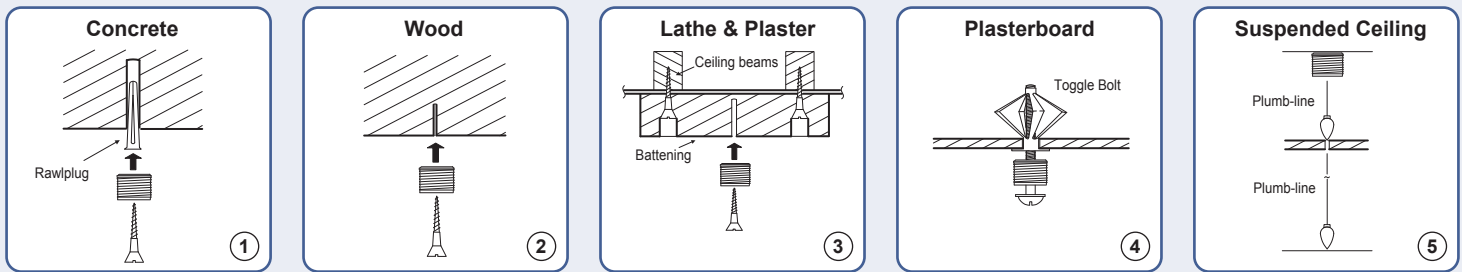


1.5mm Cable Display Systems - INSTALLATION GUIDELINES



Top to Bottom (CA4) - Cable Installation

IMPORTANT: It is essential to check that the top ceiling fixings are strong enough to take the weight of the items being displayed, whilst allowing for the tension in the cables.

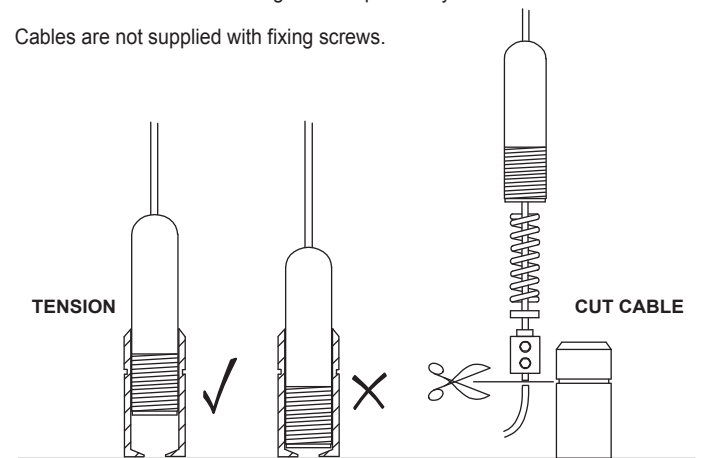
Isolators must be used where power is required through the cables (lighting etc) and fixings are into metal or conductive materials.

When fitting isolated cables remember to replace the top brass fitting with the plastic **PC01/I** isolator and add bottom isolator **SP/IS** to bottom fitting.

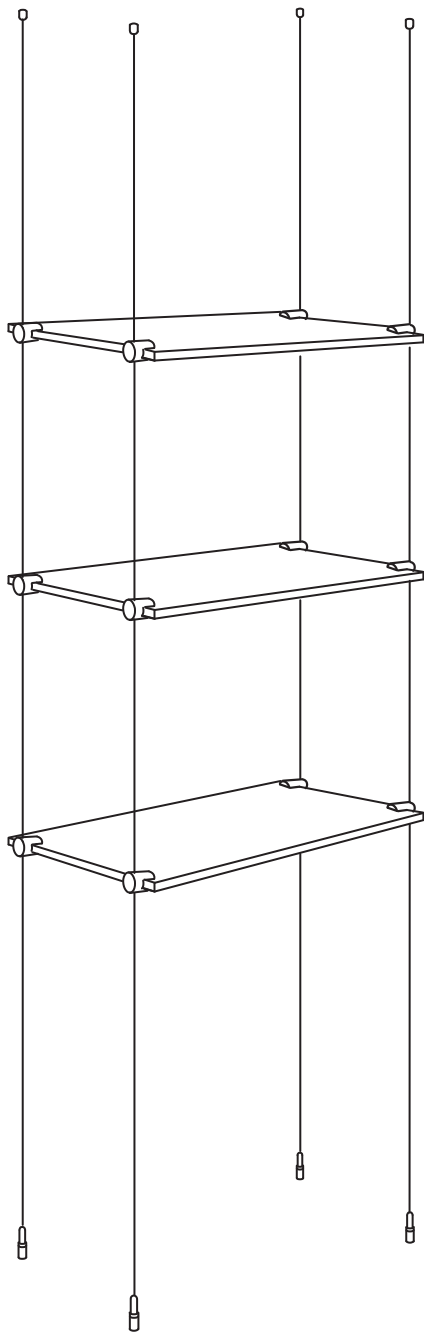
- 1) Fix fitting (A) to ceiling:
 - for wooden ceilings use a wood screw.
 - for cavity ceilings use a spring toggle bolt.
 - for solid ceilings use a rawlplug and screw.
- 2) Screw fitting (B) to fitting (A).
- 3) Using a plumb-line, plumb down from (A) and fix (F) to floor using appropriate type of fixing. For isolated cable remember to include the **SP/IS**.
- 4) Loosen the grub screws in fitting (E), using the allen key provided and slide fittings (C), (D) and (E) up the cable.
- 5) Pull down the cable and cut off in line with the decorative line around fitting (F) (see below).
- 6) Re-tighten (E) on the end of the cable.
- 7) Adjust the tension of the cable by screwing (C) into (F).

N.B. It is important to check the strength of the top fixing. No responsibility will be taken for incorrect fixing. This responsibility rests with the installer.

Cables are not supplied with fixing screws.



1.5mm Cable Display Systems - INSTALLATION GUIDELINES



Glass Shelving Fixing - CG15 Support Installation

1) Attach a clamp support to each corner of the glass shelves at 3/4"-1" distance from edge (fig 1).

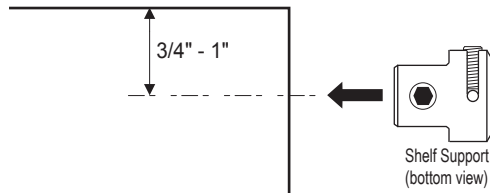


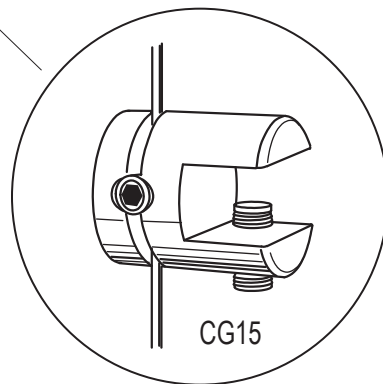
fig 1

2) **Mark cable positions on floor area** - lay shelves on floor and mark cable positions or use measurements. With the use of a plumb line mark and fix cables to ceiling (ensuring that fixings are secure).

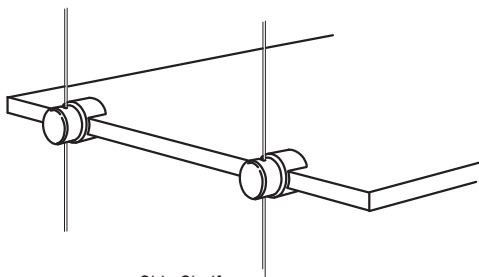
3) Install cables as per "Cable Fixing Instructions" for CA4 supplied.

4) Shelf fitting - As a guideline the lowest shelf should be fixed approx. 24" from the floor and subsequent shelves approx 12" apart.

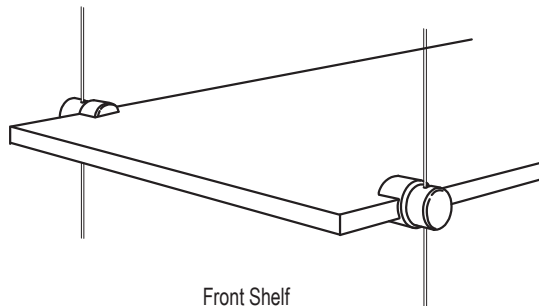
5) Fix shelf to cables. Adjust shelf to horizontal, preferably with a spirit level. Repeat procedure for other shelves.



Options - Side & Front Shelf Clamp Fixing



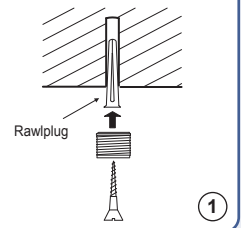
Side Shelf
Clamp Fixing



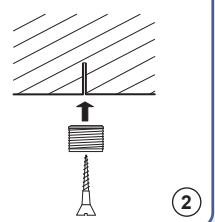
Front Shelf
Clamp Fixing

INSTALLATION TIPS

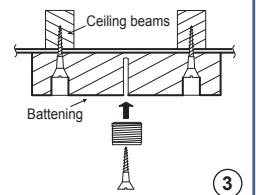
Concrete



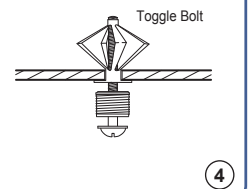
Wood



Lathe & Plaster



Plasterboard



Suspended Ceiling

