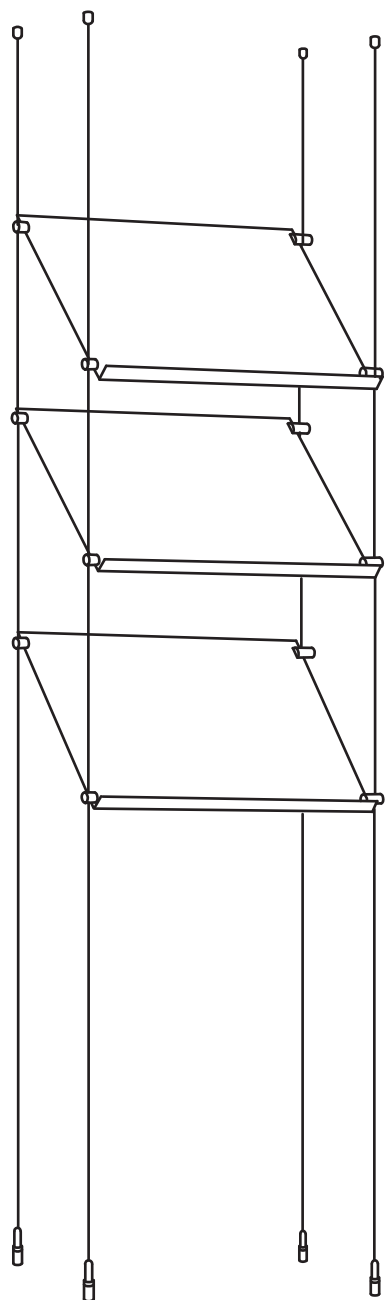


1.5mm Cable Display Systems - INSTALLATION GUIDELINES

INSTALLATION TIPS



Sloping Acrylic Shelving Fixing CG11 & CG13 Support Installation

1) Attach a clamp support to each corner of the acrylic shelves at 1/2"-1" distance from edge (fig 1).

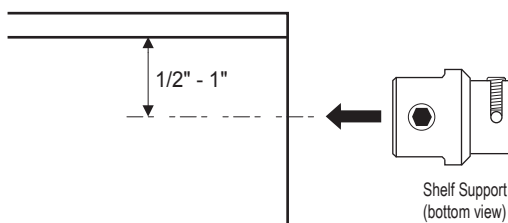


fig 1

2) **Mark cable positions on floor area** - depending on the angle that you choose for shelving, mark cable positions on the floor. With the use of a plumb line mark and fix cables to ceiling (ensuring that fixings are secure).

3) Install cables as per "**Cable Fixing Instructions**" for CA4 supplied.

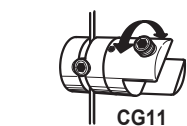
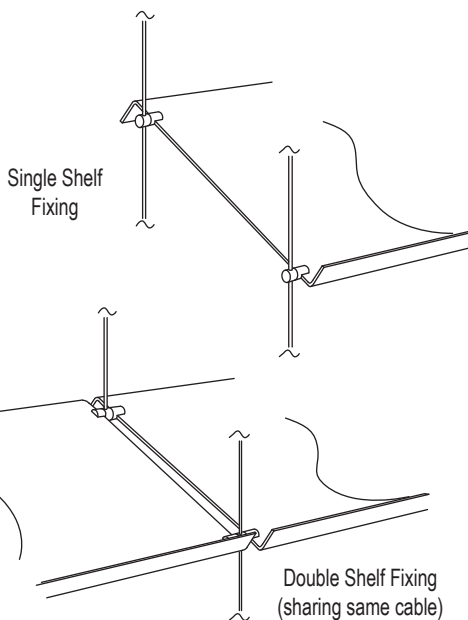
4) **Shelf fitting** - As a guideline the lowest shelf should be fixed approx. 24" from the floor and subsequent shelves approx 12" apart.

5) **Fix shelf to cables**. Adjust shelf to horizontal, preferably with a spirit level. Repeat procedure for other shelves.

Options - Double sided Clamp Supports

1) The double sided clamp support **CG21 & CG23** will need to be fitted to the cable before the second glass shelf is attached.

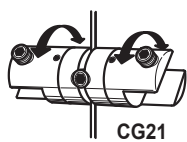
2) For proper and easier installation it will require two man assistance.



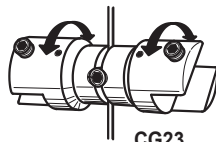
CG11



CG13



CG21



CG23

