

# 1.5mm Cable Display Systems - INSTALLATION GUIDELINES

## Wall to Wall (CWW) Cable Installation

**IMPORTANT:** It is essential to check that the top ceiling fixings are strong enough to take the weight of the items being displayed, whilst allowing for the tension in the cables.

1) Select the upper height at which cable is to start. Fix base fitting (A-B) to wall, using a suitable fixing for the type of wall:

- for wooden walls use a wood screw.
- for a cavity wall use a spring toggle bolt.
- for a solid wall use a rawlplug and screw.

2) Using a plumb line, plumb down from (A) to the required position for base fitting (G-F) and fix.

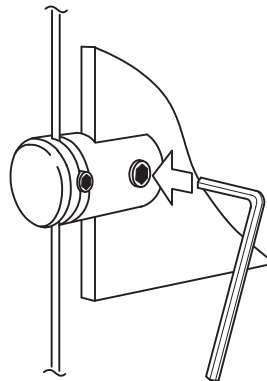
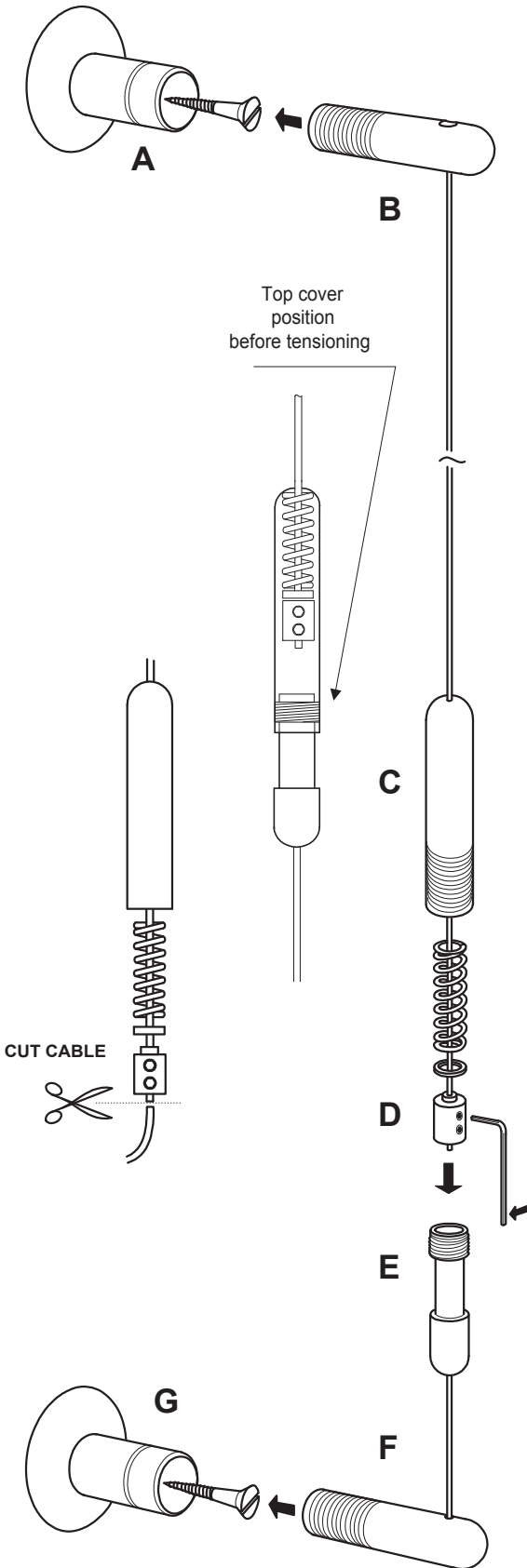
3) Separate the two sections of part (C) and (E) and loosen the grub screws in the small brass piece (D) using the Allen Key provided and slide fittings up the cable to the desired length. (Do not remove from cable).

4) Having selected the required length, re-tighten the brass fitting and cut off the surplus cable.

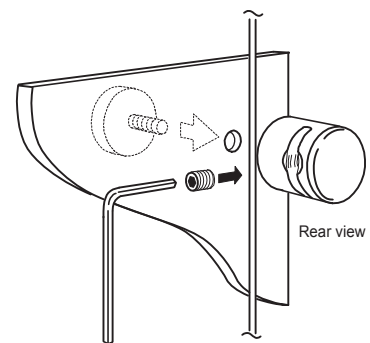
5) Re-connect the two sections (C) and (E) and tighten to adjust tension.

**N.B.** It is important to check the strength of the top fixing. No responsibility will be taken for incorrect fixing. This responsibility rests with the installer.

Cables are not supplied with fixing screws.



Panel Clamp Support



Panel Support w/Holes

