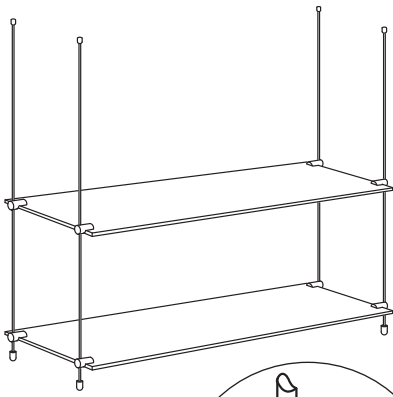


6mm Rod Display Systems - INSTALLATION GUIDELINES



Glass Shelving Fixing - RG06 Support Installation

1) Attach a clamp support to each corner of the glass shelves at 3/4"-1" distance from edge (fig 1).

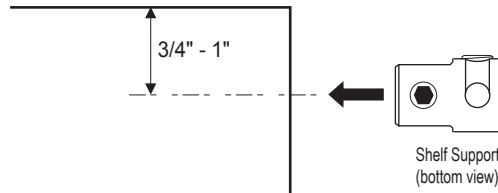


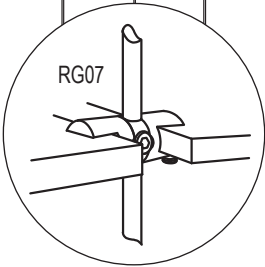
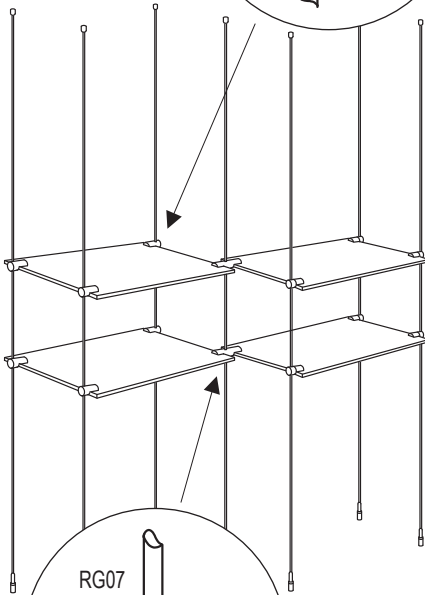
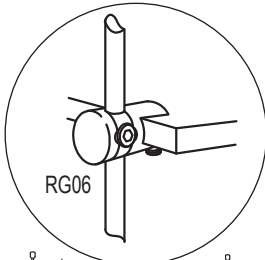
fig 1

2) **Mark rod positions on floor area** - lay shelves on floor and mark rod positions or use measurements. With the use of a plumb line mark and fix rods to ceiling (ensuring that fixings are secure).

3) Install rods as per "**Rod Fixing Instructions**" for RAS supplied.

4) **Shelf Fitting** - as a guideline the lowest shelf should be fixed approx. 24" from the floor and subsequent shelves approx 12" apart.

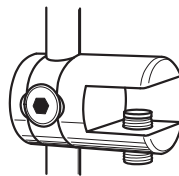
5) **Fix shelf to rods** - adjust shelf to horizontal, preferably with a spirit level. Repeat procedure for other shelves.



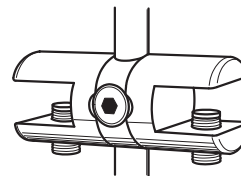
Options - Double sided Clamp Supports

1) The double sided clamp support **RG07** will need to be fitted to the rods before the second glass shelf is attached.

2) For proper and easier installation it will require two man assistance.

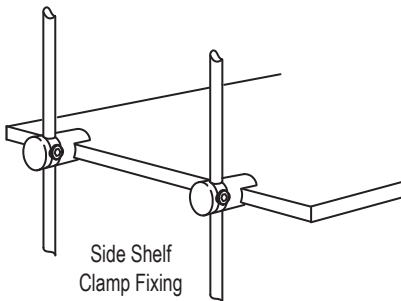


RG06

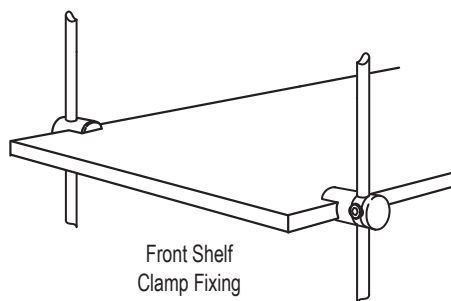


RG07

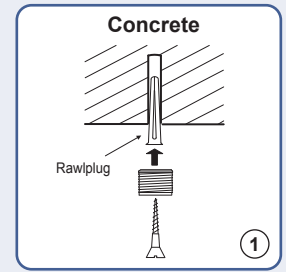
Options - Side & Front Shelf Clamp Fixing



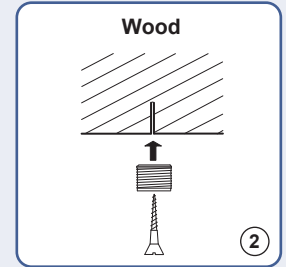
Side Shelf Clamp Fixing



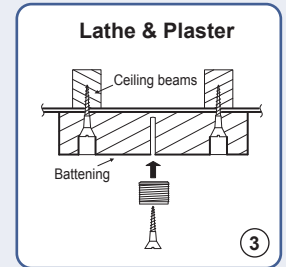
Front Shelf Clamp Fixing



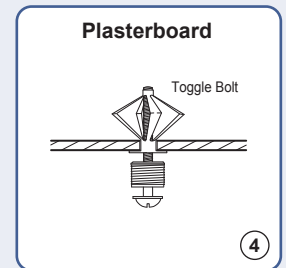
1



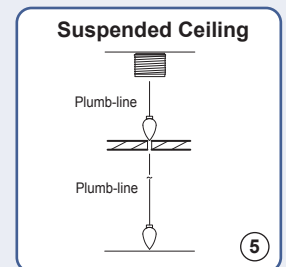
2



3



4



5