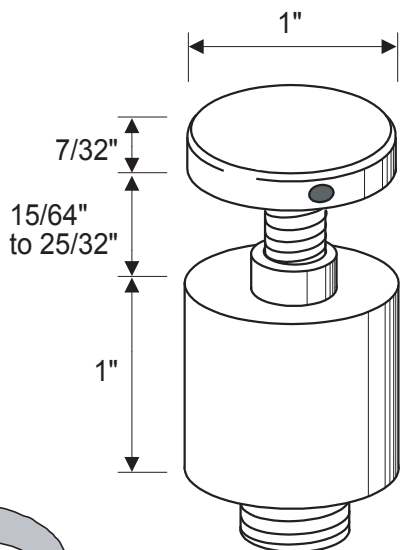
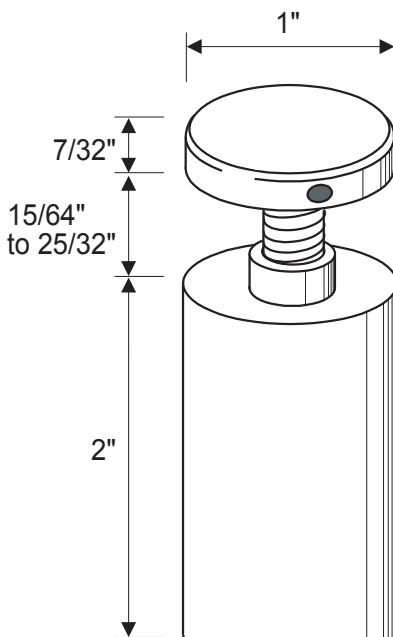


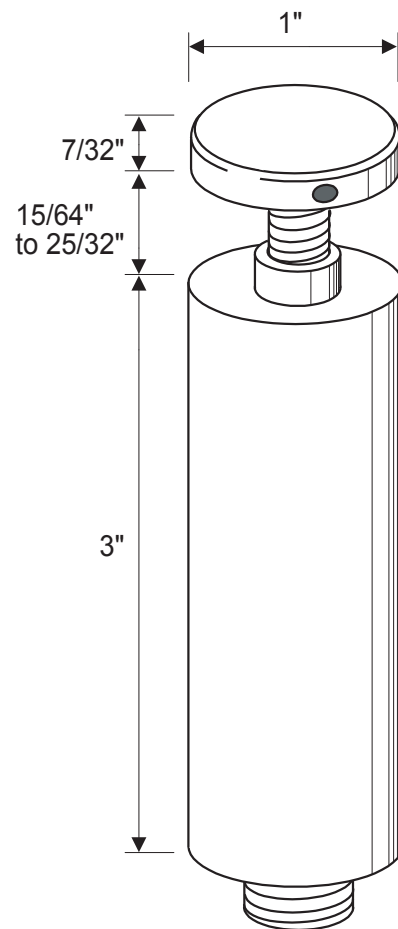
Sign & Panel Supports – Countertop Mounting – INSTALLATION GUIDELINES



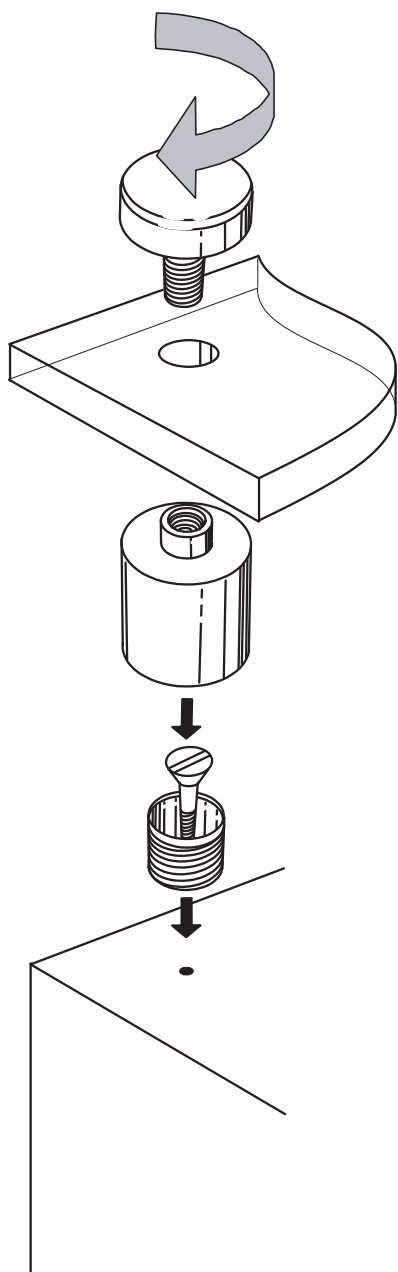
Large25 - WM15



Large50 - WM16



Large75 - WM17



Furniture Assembly...

Create a combination of different looks with the Large Panel Supports (Standoff System) by designing a series of displays or furniture tables utilizing various size bases. Panels require 15/32" hole for assembly.

