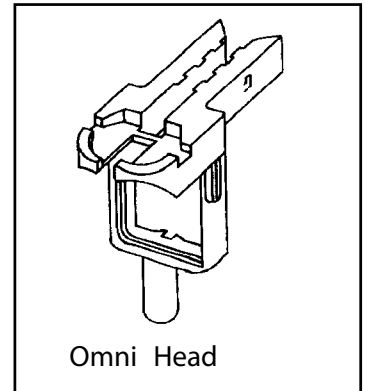
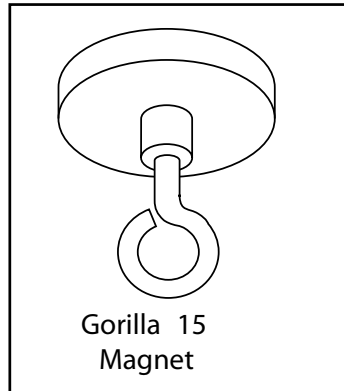


Omni Head with Magnet

Instruction Sheet

Parts



Instructions for Hanging

Place magnets in round cup areas of Omni Heads.

Connect sign, hooks and magnets.

Raise BiClops to ceiling.

Align one magnet with ceiling grid or metal surface.

Once magnet becomes engaged, lower RoPole slightly and align second magnet in desired location and raise to ceiling.

When magnets are properly positioned and secure, carefully lower RoPole.

Important note:

Please save and reuse the Ceiling Slug, Gorilla 15 Magnet, Omni Heads and RoPoles for future

BiClops RoPole with Omni Heads

