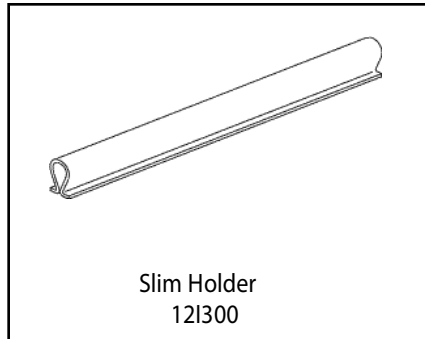


Parts



Instructions for Hanging

Step 1

Insert the poster into the Slim Holder by either sliding the poster into the holder or tapping the holder onto the poster. Fig 1-2

Step 2

Insert Slim Clips into the slot in the top Slim Holder only. Fig. 3

Note: For best results, place the clips 1/3 of the way in from each end on the top Slim Holder.

Step 3

Suspend poster.

Important note:

Please save and reuse the Slim Holder and Slim Clips for future projects.

