

Glass Shelving Fixing - CG15-3 Support Installation

- 1) Attach a clamp support to each corner of the glass shelves at 3/4"-1" distance from edge (fig 1).

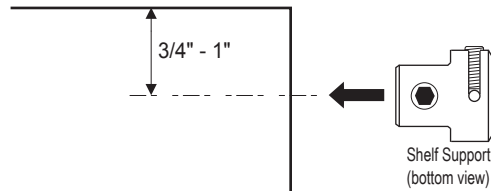
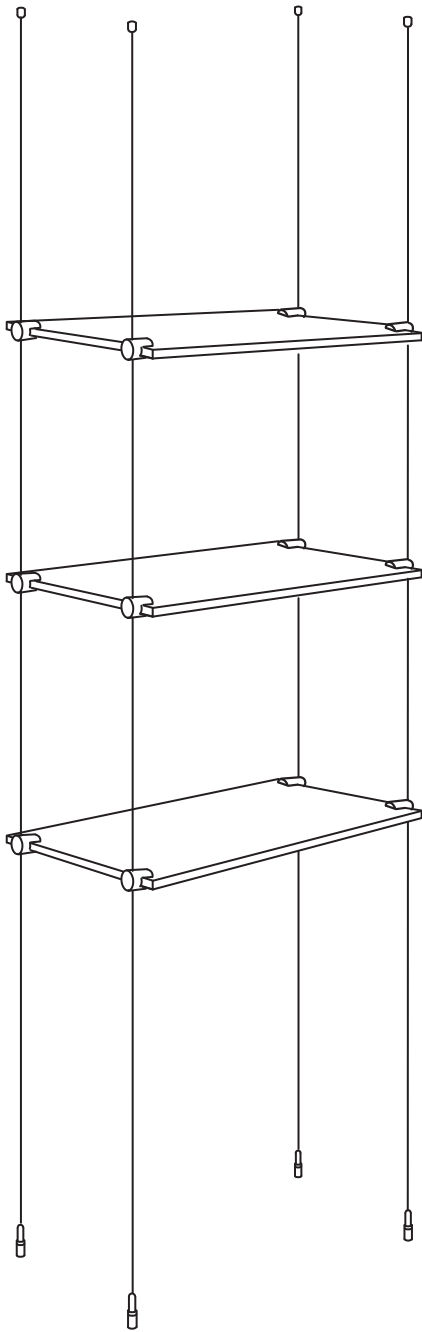
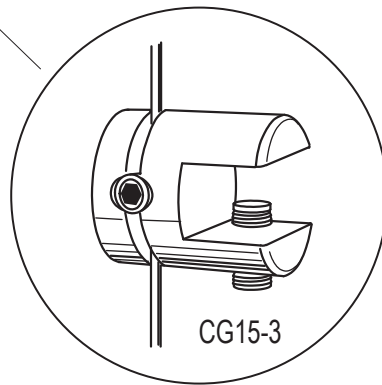
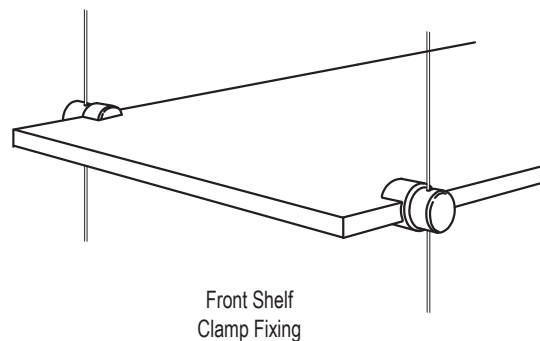
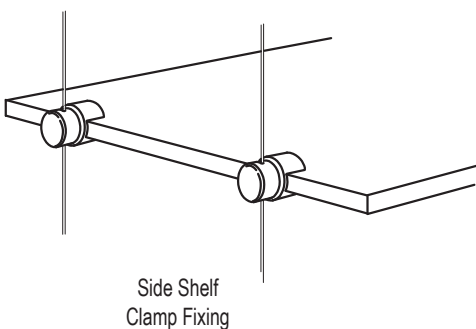


fig 1

- 2) **Mark cable positions on floor area** - Lay shelves on floor, and mark cable positions or use measurements. With the use of a plumb line, mark and fix cables to ceiling (ensuring that fixings are secure).
- 3) Install cables as per "**Cable Fixing Instructions**" for **CA4-3** supplied.
- 4) **Shelf fitting** - As a guideline; the lowest shelf should be fixed approx. 24" from the floor, and subsequent shelves approx 12" apart.
- 5) **Affix shelf to cables**. Adjust shelf to a horizontal position, preferably with a spirit level. Repeat procedure for other shelves.



Options - Side & Front Shelf Clamp Fixing



INSTALLATION TIPS

