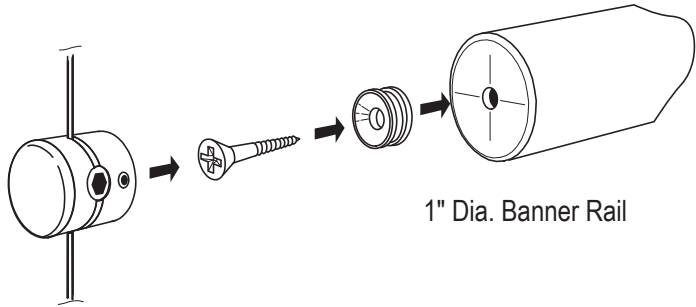


CS03 & P02 Support Installation



CS05 Rod Support Installation

