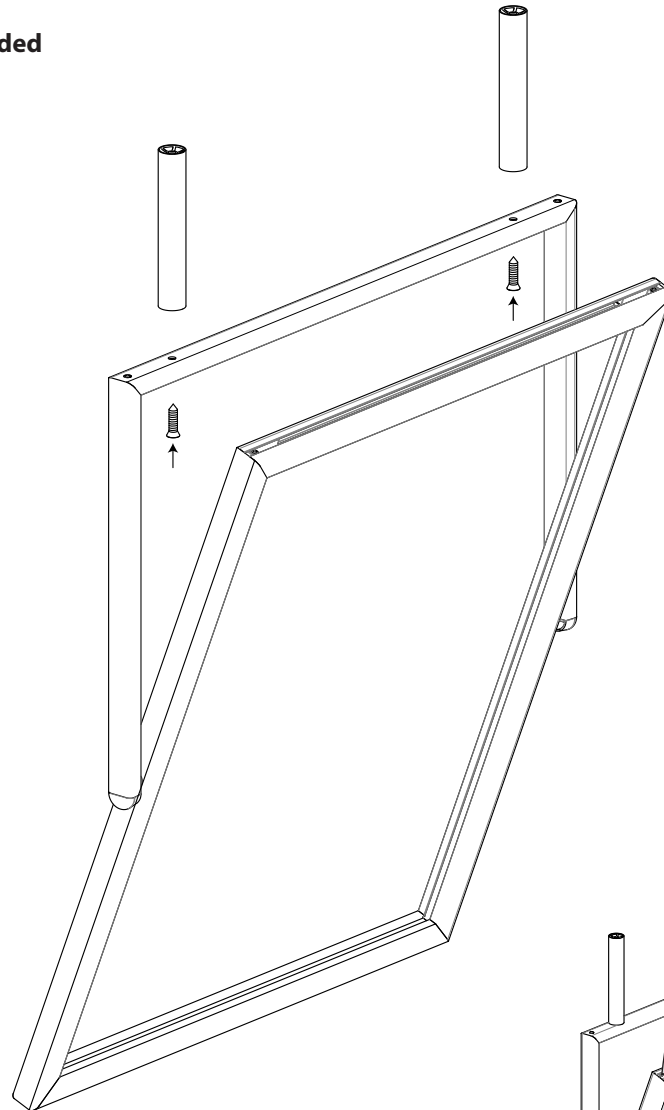
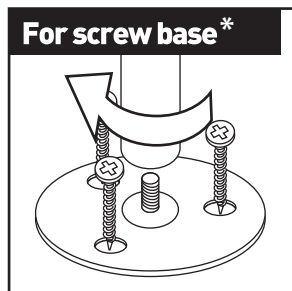
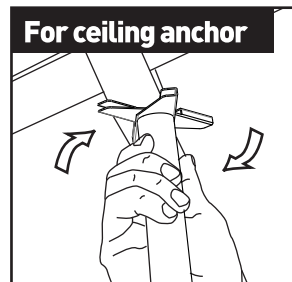
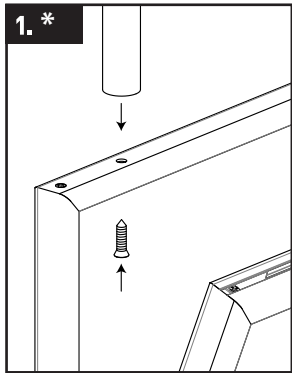


Installation Guidelines

Steps

* - Phillips Screw driver needed



Parts

