

WM11 & RS03 Rod Support Fixing

IMPORTANT: It is essential to choose the right type of screw for fixing these supports to your wall (see diagrams below).

1) Select the first point at which rod is to start. Affix the brass fitting (A), or P02 nickel support (A1) to wall using a suitable fixing for the wall type:

- for wooden walls use a wood screw.
- for a cavity wall use a spring toggle bolt.
- for a solid wall use a rawl plug and screw.

2) Using a measuring tape and a leveler; mark all fixing points as required in order to fit your acrylic pocket format, or any other hook-on acrylic accessories, and repeat procedure for all brass fittings (A-A1).

3) Affix all wall supports (B-B1) onto the brass fittings (A-A1).

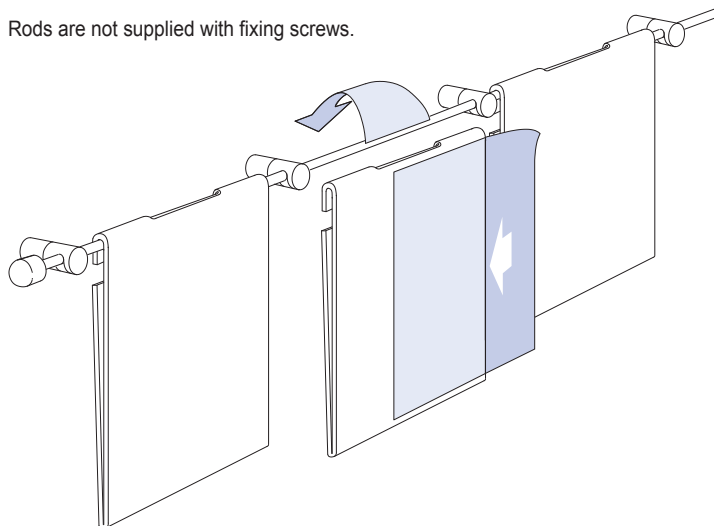
4) Loosen the set screws on the wall supports (B-B1), and slide the rod (C-C1) into the open cavities at required position. Then tighten back the set screws with Allen Key provided. Rod needs to be cut to size before attaching to the wall.

5) Attach the decorative end cap (D-D1) to both ends of rod.

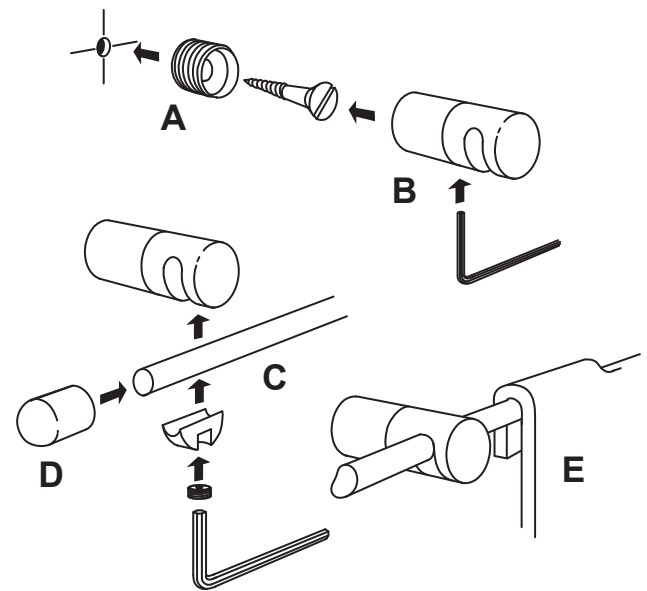
6) Attach your acrylic accessories (E) to the rod.

NOTE: It is important to check the strength of the wall fixing(s). NOVA DISPLAY® takes no responsibility for incorrect installation. This responsibility relies with the installer.

Rods are not supplied with fixing screws.



WM11 Support Mounting



RS03 Support Mounting

