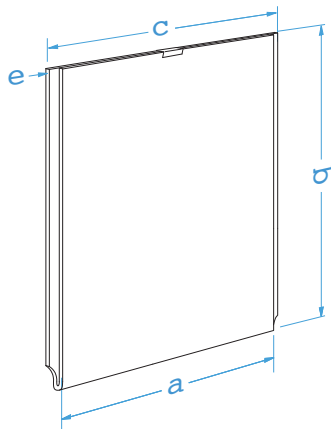
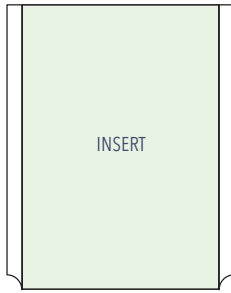


EASY ACCESS ACRYLIC HOLDERS

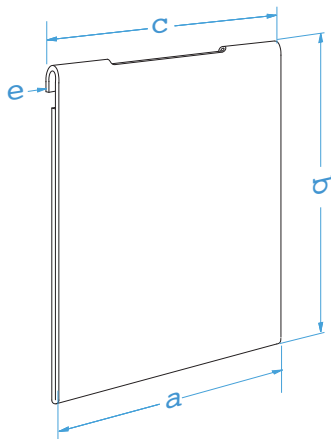
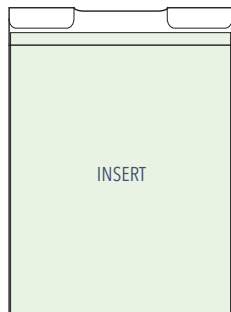


Part #	Insert Format (a x b)	Holder Width (c)	Holder Thickness (e)	Insert Thickness	Orientation
18EAAP-8511P	8-1/2"W x 11"H	9.5"	3mm (1/8")	up to 135 gsm (1 mm, 1/32")	Portrait
18EAAP-8511L	11"W x 8-1/2"H	12"	3mm (1/8")	up to 135 gsm (1 mm, 1/32")	Landscape
18EAAP-1114P	11"W x 14"H	12"	3mm (1/8")	up to 135 gsm (1 mm, 1/32")	Portrait
18EAAP-1114L	14"W x 11"H	15"	3mm (1/8")	up to 135 gsm (1 mm, 1/32")	Landscape
18EAAP-1117P	11"W x 17"H	12"	3mm (1/8")	up to 135 gsm (1 mm, 1/32")	Portrait
18EAAP-1117L	17"W x 11"H	18"	3mm (1/8")	up to 135 gsm (1 mm, 1/32")	Landscape
18EAAP-1620P	16"W x 20"H	17"	3mm (1/8")	up to 135 gsm (1 mm, 1/32")	Portrait
18EAAP-1620L	20"W x 16"H	21"	3mm (1/8")	up to 135 gsm (1 mm, 1/32")	Landscape
18EAAP-1824P	18"W x 24"H	19"	3mm (1/8")	up to 135 gsm (1 mm, 1/32")	Portrait
18EAAP-1824L	24"W x 18"H	25"	3mm (1/8")	up to 135 gsm (1 mm, 1/32")	Landscape
18EAAP-2436P	24"W x 36"H	25"	3mm (1/8")	up to 135 gsm (1 mm, 1/32")	Portrait
18EAAP-2436L	36"W x 24"H	37"	3mm (1/8")	up to 135 gsm (1 mm, 1/32")	Landscape
18EAAP-3040p	30"W x 40"H	31"	3mm (1/8")	up to 135 gsm (1 mm, 1/32")	Portrait

Finish: Clear Acrylic

- Non-glare acrylic available to order.
- Available as portrait or landscape.
- Adjust to any height and lock in desired position on cable/rod display systems.

HOOK ON ROD ACRYLIC HOLDERS

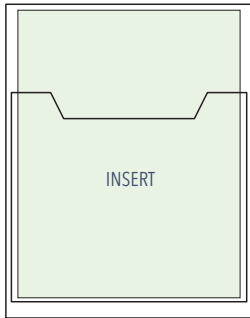


Part #	Insert Format (a x b)	Holder Width (c)	Holder Thickness (e)	Insert Thickness	Orientation
18HAP-8511P	8-1/2"W x 11"H	8.5"	3mm (1/8")	up to 135 gsm (1 mm, 1/32")	Portrait
18HAP-8511L	11"W x 8-1/2"H	11"	3mm (1/8")	up to 135 gsm (1 mm, 1/32")	Landscape
18HAP-1114P	11"W x 14"H	11"	3mm (1/8")	up to 135 gsm (1 mm, 1/32")	Portrait
18HAP-1114L	14"W x 11"H	14"	3mm (1/8")	up to 135 gsm (1 mm, 1/32")	Landscape
18HAP-1117P	11"W x 17"H	11"	3mm (1/8")	up to 135 gsm (1 mm, 1/32")	Portrait
18HAP-1117L	17"W x 11"H	17"	3mm (1/8")	up to 135 gsm (1 mm, 1/32")	Landscape
18HAP-1824P	18"W x 24"H	18"	3mm (1/8")	up to 135 gsm (1 mm, 1/32")	Portrait
18HAP-1824L	24"W x 18"H	24"	3mm (1/8")	up to 135 gsm (1 mm, 1/32")	Landscape
18HAP-2228P	22"W x 28"H	22"	3mm (1/8")	up to 135 gsm (1 mm, 1/32")	Portrait
18HAP-2228L	28"W x 22"H	28"	3mm (1/8")	up to 135 gsm (1 mm, 1/32")	Landscape

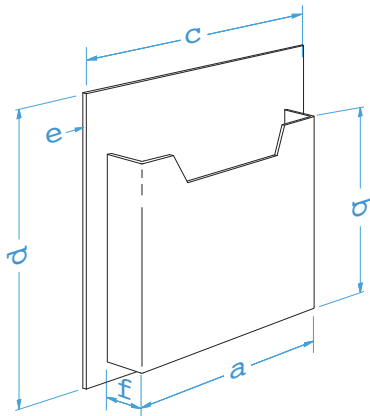
Finish: Clear Acrylic

- Non-glare acrylic available to order.
- Available as portrait or landscape.
- Adjust to any height and lock in desired position on cable/rod display systems.

ACRYLIC DISPENSERS - SINGLE POCKET



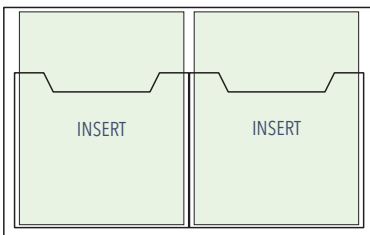
Part #	Insert Format (a x b)	Panel Width (c x d)	Panel/Pocket Thickness (e)	Pocket Depth (f)	Orientation
18ALD-8511P	8-1/2"W x 11"H	9-1/2" x 12"	3mm (1/8") / 3mm (1/8")	1-1/2"	Portrait
18ALD-8511L	11"W x 8-1/2"H	12" x 9-1/2"	3mm (1/8") / 3mm (1/8")	1-1/2"	Landscape
14ALD-8511P	8-1/2"W x 11"H	9-1/2" x 12"	6mm (1/4") / 3mm (1/8")	1-1/2"	Portrait
14ALD-8511L	11"W x 8-1/2"H	12" x 9-1/2"	6mm (1/4") / 3mm (1/8")	1-1/2"	Landscape



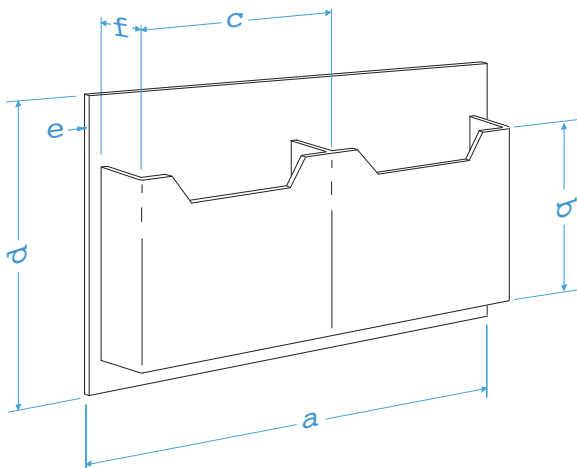
Finish: Clear Acrylic

- Available as portrait or landscape.
- Adjust to any height and lock in desired position on cable/rod display systems.
- Ideal for use at the bottom of presentation.

ACRYLIC DISPENSERS - DOUBLE POCKET



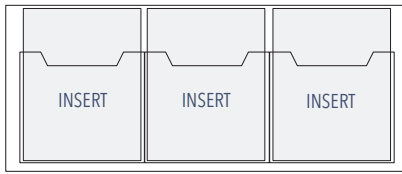
Part #	Insert Format (a x b)	Panel Width (c x d)	Panel/Pocket Thickness (e)	Pocket Depth (f)	Orientation
18ALD-8511L/12	3-1/2"W x 8-1/2"H (trifold or rack card)	12" x 12"	3mm (1/8") / 3mm (1/8")	1-1/2" (2 pockets)	Portrait
14ALD-2-8511P/19	8-1/2"W x 11"H	9-1/2" x 20"	6mm (1/4") / 3mm (1/8")	1-1/2" (2 pockets)	Portrait
14ALD-2-8511P/23	8-1/2"W x 11"H	9-1/2" x 24"	6mm (1/4") / 3mm (1/8")	1-1/2" (2 pockets)	Portrait
14ALD-2-8511P/25	8-1/2"W x 11"H	9-1/2" x 26"	6mm (1/4") / 3mm (1/8")	1-1/2" (2 pockets)	Portrait



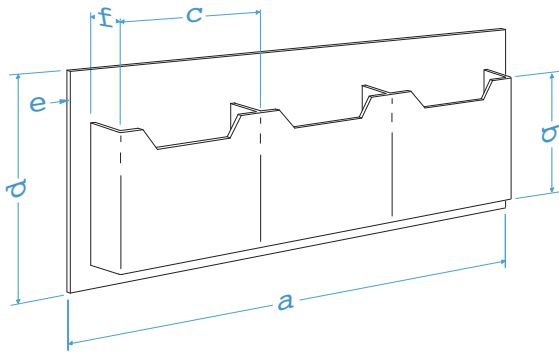
Finish: Clear Acrylic

- Available as portrait or landscape.
- Adjust to any height and lock in desired position on cable/rod display systems.
- Ideal for use at the bottom of presentation.

ACRYLIC DISPENSERS - TRIPLE POCKET



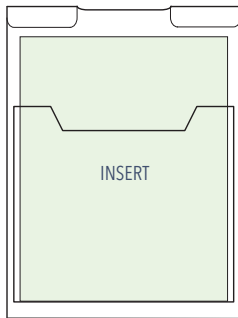
Part #	Insert Format (a x b)	Panel Width (c x d)	Panel/Pocket Thickness (e)	Pocket Depth (f)	Orientation
18ALD-3-3585P/17	3-1/2"W x 8-1/2"H (trifold or rack card)	18" x 9-1/2"	3mm (1/8") / 3mm (1/8")	1-1/2" (3 pockets)	Portrait
14ALD-3-3585P/19	3-1/2"W x 8-1/2"H (trifold or rack card)	20" x 9-1/2"	6mm (1/4") / 3mm (1/8")	1-1/2" (3 pockets)	Portrait
14ALD-3-6585P/23	6.5"W x 8.5"H (brochure)	24" x 9-1/2"	6mm (1/4") / 3mm (1/8")	1-1/2" (3 pockets)	Portrait
14ALD-3-8511P/29	8.5"W x 11"H	30" x 12"	6mm (1/4") / 3mm (1/8")	1-1/2" (3 pockets)	Portrait
14ALD-3-8511P/31	8.5"W x 11"H	32" x 12"	6mm (1/4") / 3mm (1/8")	1-1/2" (3 pockets)	Portrait
14ALD-3-8511P/36	8.5"W x 11"H	37" x 12"	6mm (1/4") / 3mm (1/8")	1-1/2" (3 pockets)	Portrait



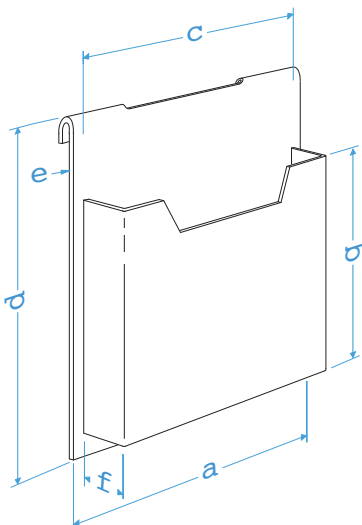
Finish: Clear Acrylic

- Available as portrait or landscape.
- Adjust to any height and lock in desired position on cable/rod display systems.
- Ideal for use at the bottom of presentation.

HOOK ON ROD ACRYLIC DISPENSERS SINGLE POCKET



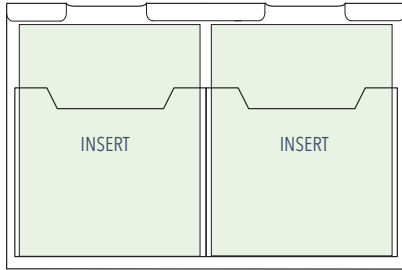
Part #	Insert Format (a x b)	Panel Width (c x d)	Panel/Pocket Thickness (e)	Pocket Depth (f)	Orientation
18HALD-0507P	5"W x 7"H (brochure)	6" x 9"	6mm (1/4") / 3mm (1/8")	1-1/2"	Portrait
18HALD-8511P	8-1/2"W x 11"H	9" x 12"	6mm (1/4") / 3mm (1/8")	1-1/2"	Portrait
18HALD-8511L	11W x 8-1/2"H	12" x 9"	6mm (1/4") / 3mm (1/8")	1-1/2"	Landscape



Finish: Clear Acrylic

- Available as portrait or landscape.
- Adjust to any height and lock in desired position on cable/rod display systems.
- Ideal for use at the bottom of presentation.

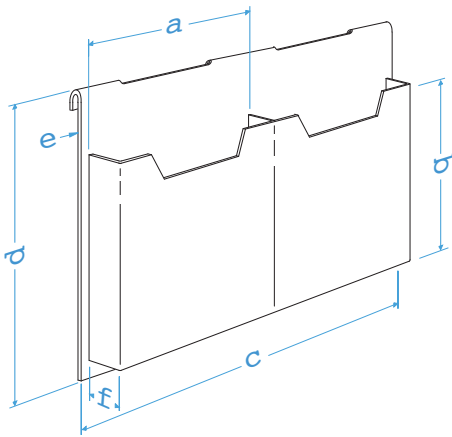
HOOK ON ROD ACRYLIC DISPENSERS DOUBLE POCKET



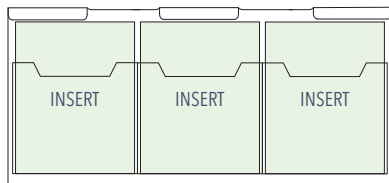
Part #	Insert Format (a x b)	Panel Width (c x d)	Panel/Pocket Thickness (e)	Pocket Depth (f)	Orientation
18HALD-2-0507P	5"W x 7"H (brochure)	12" x 9"	3mm (1/8") / 3mm (1/8")	1-1/2" (2 pockets)	Portrait
18HALD-2-8511P	8.5"W x 11"H	19" x 12"	3mm (1/8") / 3mm (1/8")	1-1/2" (2 pockets)	Portrait
18HALD-2-8511L	11"W x 8.5"H	24" x 12"	6mm (1/4") / 3mm (1/8")	1-1/2" (2 pockets)	Landscape

Finish: Clear Acrylic

- Available as portrait or landscape.
- Adjust to any height and lock in desired position on cable/rod display systems.
- Ideal for use at the bottom of presentation.



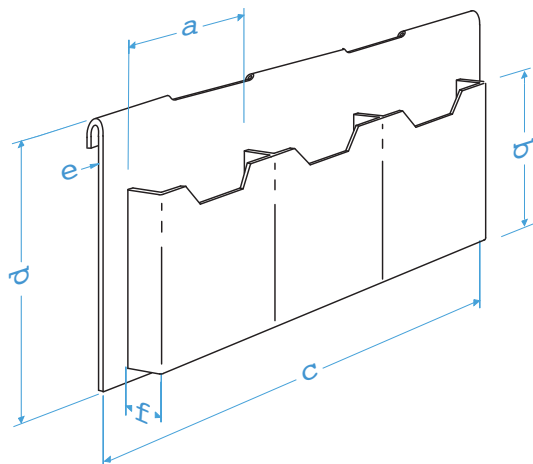
HOOK ON ROD ACRYLIC DISPENSERS TRIPLE POCKET



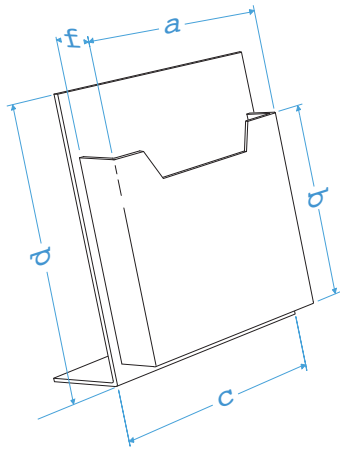
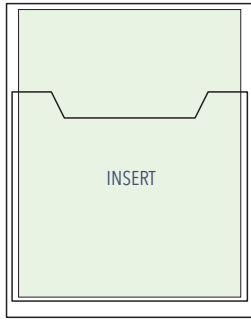
Part #	Insert Format (a x b)	Panel Width (c x d)	Panel/Pocket Thickness (e)	Pocket Depth (f)	Orientation
18HALD-3-0406P	3-1/2"W x 8-1/2"H (trifold or rack card)	14" x 10"	6mm (1/4") / 3mm (1/8")	1-1/2" (3 pockets)	Portrait

Finish: Clear Acrylic

- Available as portrait or landscape.
- Adjust to any height and lock in desired position on cable/rod display systems.
- Ideal for use at the bottom of presentation.



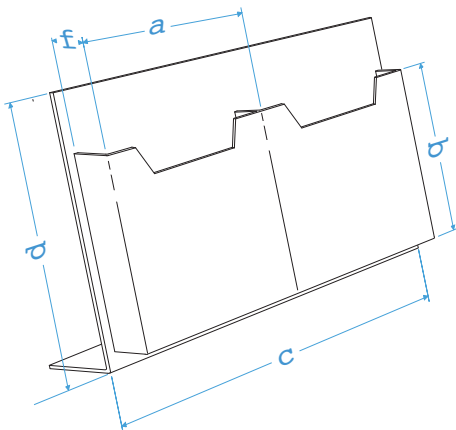
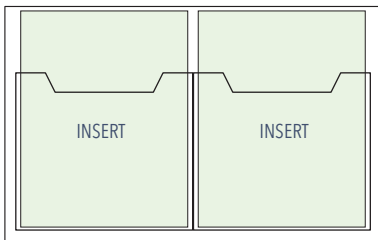
ACRYLIC DISPENSERS - RECLINED POCKET



Part #	Insert Format (a x b)	Panel Width (c x d)	Panel/Pocket Thickness (e)	Pocket Depth (f)	Orientation
18ALD-RC-8511P	8-1/2"W x 11"H	9-1/2" x 12"	6mm (1/4") / 3mm (1/8")	1-1/2"	Portrait
18ALD-RC-8511L	11"W x 8-1/2"H	12" x 12"	6mm (1/4") / 3mm (1/8")	1-1/2"	Landscape

Finish: Clear Acrylic
 • Available as portrait or landscape.

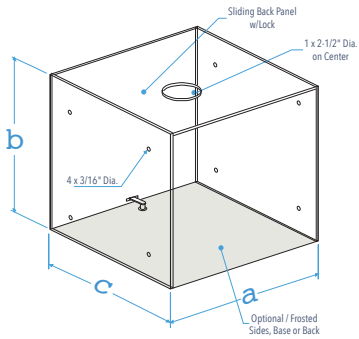
ACRYLIC DISPENSERS - RECLINED DOUBLE POCKET



Part #	Insert Format (a x b)	Panel Width (c x d)	Panel/Pocket Thickness (e)	Pocket Depth (f)	Orientation
18ALD-RC2-8511P/19	8-1/2"W x 11"H	19" x 12"	6mm (1/4") / 3mm (1/8")	1-1/2"	Portrait

Finish: Clear Acrylic
 • Available as portrait.

ACRYLIC SHOWCASE - 1/4" THICK (LIT & NON-LIT / ENCLOSED W/LOCK)

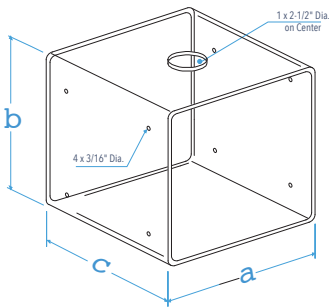


Part #	Size (a x b x c)	Lockable	Acrylic Thickness	Options	Suspension
???	12"W x 12"H x 12"D	Yes	6mm (1/4")	Lit or Non-Lit. Frosted Sides, Top & Base	Cable or Rod
???	12"W x 12"H x 12"D	Yes	6mm (1/4")	Lit or Non-Lit. Frosted Sides, Top & Base	Cable or Rod
???	15"W x 15"H x 15"D	Yes	6mm (1/4")	Lit or Non-Lit. Frosted Sides, Top & Base	Cable or Rod
???	15"W x 15"H x 15"D	Yes	6mm (1/4")	Lit or Non-Lit. Frosted Sides, Top & Base	Cable or Rod

Finish: Clear Acrylic

- Adjust to any height and lock in desired position on cable/rod display systems.

ACRYLIC SHOWCASE - 3/8" THICK (LIT & NON-LIT / OPEN FRONT & BACK)

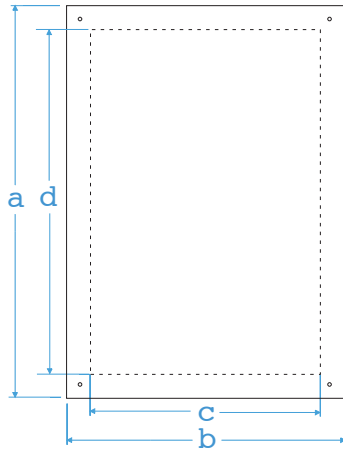


Part #	Size (a x b x c)	Lockable	Acrylic Thickness	Options	Suspension
???	12"W x 12"H x 12"D	Yes	10mm (3/8")	Lit or Non-Lit. Clear or Frosted	Cable or Rod
???	12"W x 12"H x 12"D	Yes	10mm (3/8")	Lit or Non-Lit. Clear or Frosted	Cable or Rod
???	15"W x 15"H x 15"D	Yes	10mm (3/8")	Lit or Non-Lit. Clear or Frosted	Cable or Rod
???	15"W x 15"H x 15"D	Yes	10mm (3/8")	Lit or Non-Lit. Clear or Frosted	Cable or Rod

Finish: Clear or Frosted Acrylic

- Adjust to any height and lock in desired position on cable/rod display systems.

ACRYLIC PANELS 1/4" THICK SANDWICH FRAMES

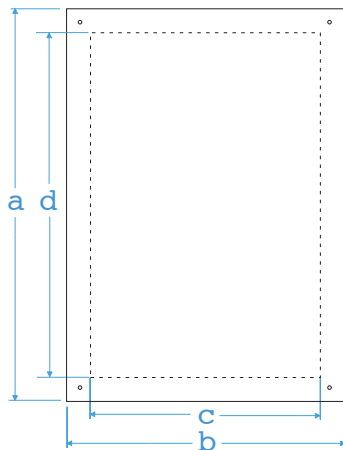


Part #	Insert Format (a x b)	Holder Width (c)	Holder Thickness (e)	Insert Thickness	Orientation
KASP-001	11"W x 13.5"H	8.5" x 11" (or less)	6mm (1/4") / Miter	up to 135 gsm (1 mm, 1/32")	Portrait or Landscape
KASP-002	13.5"W x 13.5"H	11" x 14" (or less)	6mm (1/4") / Miter	up to 135 gsm (1 mm, 1/32")	Portrait or Landscape
KASP-003	13.5"W x 19.5"H	11" x 17" (or less)	6mm (1/4") / Miter	up to 135 gsm (1 mm, 1/32")	Portrait or Landscape
KASP-004	14.5"W x 20.5"H	12" x 18" (or less)	6mm (1/4") / Miter	up to 135 gsm (1 mm, 1/32")	Portrait or Landscape
KASP-005	18.5"W x 22.5"H	16" x 20" (or less)	6mm (1/4") / Miter	up to 135 gsm (1 mm, 1/32")	Portrait or Landscape
KASP-006	16.5"W x 24.5"H	14" x 22" (or less)	6mm (1/4") / Miter	up to 135 gsm (1 mm, 1/32")	Portrait or Landscape
KASP-007	20.5"W x 20.5"H	18" x 18" (or less)	6mm (1/4") / Miter	up to 135 gsm (1 mm, 1/32")	Portrait or Landscape
KASP-008	20.5"W x 26.5"H	18" x 24" (or less)	6mm (1/4") / Miter	up to 135 gsm (1 mm, 1/32")	Portrait or Landscape

Finish: Clear Acrylic

- 1/8" Clear Back & 1/8" Non-Glare Front Panel (1 ea).
- Orient as portrait or landscape.
- For use with hardware that accommodates 3/16" dia. holes.

ACRYLIC PANELS 3/8" THICK SANDWICH FRAMES

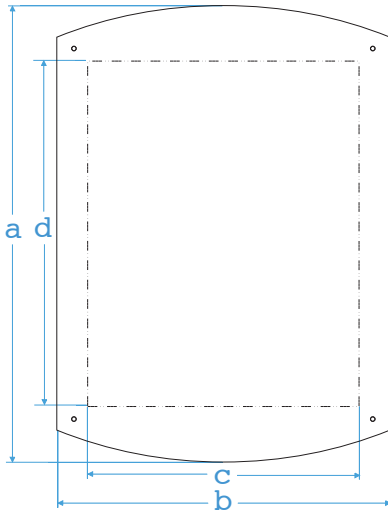


Part #	Insert Format (a x b)	Holder Width (c)	Holder Thickness (e)	Insert Thickness	Orientation
KASP-009	18.5"W x 18.5"H	16" x 16" (or less)	10mm (3/8") / Miter	up to 135 gsm (1 mm, 1/32")	Portrait or Landscape
KASP-010	18.5"W x 22.5"H	16" x 20" (or less)	10mm (3/8") / Miter	up to 135 gsm (1 mm, 1/32")	Portrait or Landscape
KASP-011	20.5"W x 20.5"H	18" x 18" (or less)	10mm (3/8") / Miter	up to 135 gsm (1 mm, 1/32")	Portrait or Landscape
KASP-012	20.5"W x 26.5"H	18" x 24" (or less)	10mm (3/8") / Miter	up to 135 gsm (1 mm, 1/32")	Portrait or Landscape
KASP-013	18"W x 18"H	14" x 14" (or less)	10mm (3/8") / Miter	up to 135 gsm (1 mm, 1/32")	Portrait or Landscape
KASP-014	18"W x 24"H	14" x 20" (or less)	10mm (3/8") / Miter	up to 135 gsm (1 mm, 1/32")	Portrait or Landscape
KASP-015	22"W x 28"H	18" x 24" (or less)	10mm (3/8") / Miter	up to 135 gsm (1 mm, 1/32")	Portrait or Landscape
KASP-016	20"W x 30"H	16" x 26" (or less)	10mm (3/8") / Miter	up to 135 gsm (1 mm, 1/32")	Portrait or Landscape
KASP-017	24"W x 24"H	20" x 20" (or less)	10mm (3/8") / Miter	up to 135 gsm (1 mm, 1/32")	Portrait or Landscape
KASP-018*	24"W x 34"H	20" x 30" (or less)	10mm (3/8") / Miter	up to 135 gsm (1 mm, 1/32")	Portrait or Landscape
KASP-019*	24"W x 36"H	20" x 32" (or less)	10mm (3/8") / Miter	up to 135 gsm (1 mm, 1/32")	Portrait or Landscape
KASP-020	36"W x 36"H	32" x 32" (or less)	10mm (3/8") / Miter	up to 135 gsm (1 mm, 1/32")	Portrait or Landscape
KASP-021	30"W x 30"H	26" x 26" (or less)	10mm (3/8") / Miter	up to 135 gsm (1 mm, 1/32")	Portrait or Landscape
KASP-022*	30"W x 40"H	26" x 36" (or less)	10mm (3/8") / Miter	up to 135 gsm (1 mm, 1/32")	Portrait or Landscape
KASP-023A*	28"W x 40"H	24" x 36" (or less)	10mm (3/8") / Miter	up to 135 gsm (1 mm, 1/32")	Portrait or Landscape
KASP-024*	30"W x 42"H	26" x 38" (or less)	10mm (3/8") / Miter	up to 135 gsm (1 mm, 1/32")	Portrait or Landscape
KASP-026	18"W x 18"H	14" x 14" (or less)	10mm (3/8") / Round	up to 135 gsm (1 mm, 1/32")	Portrait or Landscape
KASP-027	18"W x 24"H	14" x 20" (or less)	10mm (3/8") / Round	up to 135 gsm (1 mm, 1/32")	Portrait or Landscape
KASP-028	24"W x 24"H	20" x 20" (or less)	10mm (3/8") / Round	up to 135 gsm (1 mm, 1/32")	Portrait or Landscape
KASP-029*	24"W x 36"H	20" x 32" (or less)	10mm (3/8") / Round	up to 135 gsm (1 mm, 1/32")	Portrait or Landscape

Finish: Clear Acrylic

- 1/4" Clear Back & 1/8" Non-Glare Front Panel (1 ea).
- Orient as portrait or landscape.
- For use with hardware that accommodates 3/16" dia. holes.

ACRYLIC PANELS - ARCHED 1/4" THICK SANDWICH FRAMES

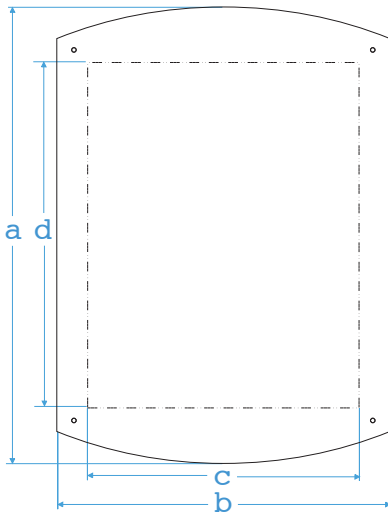


Part #	Insert Format (a x b)	Holder Width (c)	Holder Thickness (e)	Insert Thickness	Orientation
KASP-030	11"W x 15"H	8.5" x 11" (or less)	6mm (1/4") / Miter	up to 135 gsm (1 mm, 1/32")	Portrait or Landscape
KASP-031	13.5"W x 18.5"H	11" x 14" (or less)	6mm (1/4") / Miter	up to 135 gsm (1 mm, 1/32")	Portrait or Landscape
KASP-032	13.5"W x 21.5"H	11" x 17" (or less)	6mm (1/4") / Miter	up to 135 gsm (1 mm, 1/32")	Portrait or Landscape
KASP-033	14.5"W x 22.5"H	12" x 18" (or less)	6mm (1/4") / Miter	up to 135 gsm (1 mm, 1/32")	Portrait or Landscape

Finish: Clear Acrylic

- 1/8" Clear Back & 1/8" Non-Glare Front Panel (1 ea).
- Orient as portrait or landscape.
- For use with hardware that accommodates 3/16" dia. holes.

ACRYLIC PANELS - ARCHED 3/8" THICK SANDWICH FRAMES



Part #	Insert Format (a x b)	Holder Width (c)	Holder Thickness (e)	Insert Thickness	Orientation
KASP-030	18"W x 20.5"H	14" x 14" (or less)	10mm (3/8") / Miter	up to 135 gsm (1 mm, 1/32")	Portrait or Landscape
KASP-031	20"W x 22.5"H	16" x 16" (or less)	10mm (3/8") / Miter	up to 135 gsm (1 mm, 1/32")	Portrait or Landscape
KASP-032	20"W x 22.5"H	16" x 20" (or less)	10mm (3/8") / Miter	up to 135 gsm (1 mm, 1/32")	Portrait or Landscape
KASP-033	22"W x 31"H	18" x 24" (or less)	10mm (3/8") / Miter	up to 135 gsm (1 mm, 1/32")	Portrait or Landscape

Finish: Clear Acrylic

- 1/4" Clear Back & 1/8" Non-Glare Front Panel (1 ea).
- Orient as portrait or landscape.
- For use with hardware that accommodates 3/16" dia. holes.